

Totalizers mechanic

Stroke, meter and revolution counters

Display 5 digits, manual reset (zero) by lever

H 410, M 410, U 410, M 411, U 411



H 410 - Stroke counter



M 410 - Meter counter



U 410 - Revolution counter

Features

- Stroke, meter and revolution counters
- Adding
- Display 5-digits
- Reset by lever

Technical data - mechanical design

| | |
|---------------------------|--|
| Number of digits | 5-digits |
| Digit height | 7 mm |
| Zero setting | Manual by reset lever. Do not let snap or make jerky movements. |
| Ambient temperature | 0...+60 °C |
| Housing type | Surface mount housing with mounting plate |
| Housing colour | Grey |
| Dimensions W x H x L | 106 x 64 x 45 mm |
| Dimensions mounting plate | 120 x 64 mm |
| Mounting | Base plate, 4 long mounting holes |
| Weight approx. | 380 g |
| Materials | Housing: Hostaform POM, grey Base plate: steel zinc-coated |

H 410

| | |
|------------------|---|
| Function | Stroke counter |
| Display | White numbers on black |
| Count mode | Adding in a stroke direction to be indicated. 1 stroke = 1 count |
| Drive shaft | Both sides, $\varnothing 7$ mm |
| Stroke | >38° to <60° |
| Stroke lever | To be positioned on shaft at will. Stroke lever relocates automatically to start position. |
| Stroke frequency | ≤500 strokes/min |

Totalizers mechanic

Stroke, meter and revolution counters

Display 5 digits, manual reset (zero) by lever

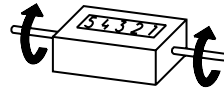
H 410, M 410, U 410, M 411, U 411

Technical data - mechanical design

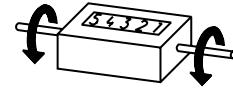
| | |
|--------------------|--|
| Measuring range | 99 999 |
| M 410 | |
| Function | Meter counter |
| Display | White numbers on black Decimal digits in red |
| Count mode | Adding in a rotational direction to be indicated, subtracting in reverse direction. See part number key |
| Drive shaft | Both sides, $\varnothing 7$ mm |
| Measuring speed | <200 m/min (measuring wheel) |
| Measuring accuracy | 1 dm, 1 cm |
| Measuring range | 9999.9 m |
| M 411 | |
| Function | Meter counter |
| Display | White numbers on black Decimal digits in red |
| Count mode | Adding in a rotational direction to be indicated, subtracting in reverse direction. See part number key |
| Drive shaft | Centered below, $\varnothing 7$ mm |
| Measuring speed | <60 m/min |
| Measuring accuracy | 1 dm |
| Measuring range | 9999.9 m |
| U 410 | |
| Function | Revolution counter |
| Display | White numbers on black |
| Count mode | Adding in a rotational direction to be indicated, subtracting in reverse direction. 1 rev. = 1 count |
| Drive shaft | Both sides, $\varnothing 7$ mm |
| Operating speed | ≤ 3000 rpm |
| Measuring range | 99 999 |
| U 411 | |
| Function | Revolution counter |
| Display | White numbers on black |
| Count mode | Adding in a rotational direction to be indicated, subtracting in reverse direction. 1 rev. = 1 count |
| Drive shaft | Centered below, $\varnothing 7$ mm |
| Operating speed | ≤ 1000 rpm |
| Measuring range | 99 999 |

Direction of strokes and rotation

H 410, M 410, U 410

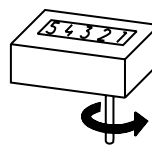


Away from user
Sense of rotation or stroke direction I

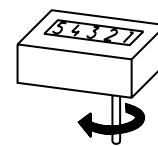


Towards user
Sense of rotation or stroke direction II

M 411, U 411



Sense of rotation I



Sense of rotation II

Accessories

Measuring wheels for M 410, M 411

| | |
|-----------|---|
| MR211.07A | Circumf. 20 cm, knurled aluminium |
| MR241.07D | Circumf. 20 cm, smooth Hytrel TPE-E |
| MR261.07A | Circumf. 20 cm, knopped rubber NBR Nitril |
| MR291.07D | Circumf. 20 cm, grooved Hytrel TPE-E |
| MR592.07D | Circumf. 50 cm, grooved Hytrel TPE-E |
| MR512.07A | Circumf. 50 cm, knurled aluminium |
| MR542.07D | Circumf. 50 cm, smooth Hytrel TPE-E |
| MR552.07A | Circumf. 50 cm, smooth Vulkollan PUR |
| MR562.07A | Circumf. 50 cm, knopped rubber NBR Nitril |

Totalizers mechanic

Stroke, meter and revolution counters

Display 5 digits, manual reset (zero) by lever

H 410, M 410, U 410, M 411, U 411

Part number

Stroke counter

H 410. 010 A 02

| | | | |
|--|--|--|---|
| | | | |
| | | | <u>Display / direction of stroke</u> |
| | | | A 5 digits 99 999 / I |
| | | | B 5 digits 99 999 / II |
| | | | <u>Count mode / drive</u> |
| | | | 02 1 stroke = 1 digit / drive shaft on both sides |
| | | | <u>Housing</u> |
| | | | A Surface mount housing, grey |
| | | | <u>Zero setting</u> |
| | | | 010 With reset lever |

Meter counter

M 410. 010

| | | | |
|--|--|--|--|
| | | | |
| | | | <u>Display / direction of rotation</u> |
| | | | C 5 digits 9999.9 / I |
| | | | D 5 digits 9999.9 / II |
| | | | E 5 digits 999,99 / I |
| | | | F 5 digits 999,99 / II |
| | | | G 5 digits 9999.95 / I |
| | | | H 5 digits 9999.95 / II |
| | | | <u>Count mode / drive</u> |
| | | | 02 1 revolution = 10 digits = 1.0 m / drive shaft on both sides* |
| | | | 03 2 revolutions = 10 digits = 1.0 m / drive shaft on both sides (for mea. wheel circumf. 50 cm) |
| | | | 04 5 revolutions = 10 digits = 1.0 m / drive shaft on both sides* (for mea. wheel circumf. 20 cm) |
| | | | 06 5 revolutions = 100 digits = 1.0 m / drive shaft on both sides* (for mea. wheel circumf. 20 cm) |
| | | | 07 2 revolutions = 100 digits = 1.0 m / drive shaft on both sides* (for mea. wheel circumf. 50 cm) |
| | | | <u>Housing</u> |
| | | | A Surface mount housing, grey |
| | | | B Surface mount housing with hinge plate |
| | | | <u>Zero setting</u> |
| | | | 010 With reset lever |

Meter counter

M 411. 010 A 03

| | | | |
|--|--|--|--|
| | | | |
| | | | <u>Display / direction of rotation</u> |
| | | | C 5 digits 9999.9 / I |
| | | | D 5 digits 9999.9 / II |
| | | | <u>Count mode / drive</u> |
| | | | 03 2 revolutions = 10 digits = 1.0 m / drive shaft at bottom |
| | | | <u>Housing</u> |
| | | | A Surface mount housing, grey |
| | | | <u>Zero setting</u> |
| | | | 010 With reset lever |

Revolution counter

U 410. 010 A

| | | | |
|--|--|--|---|
| | | | |
| | | | <u>Display / direction of rotation</u> |
| | | | A 5 digits 99 999 / I |
| | | | B 5 digits 99 999 / II |
| | | | <u>Count mode / drive</u> |
| | | | 01 1 revolution = 1 digit / drive shaft on both sides |
| | | | 02 1 revolution = 10 digits / drive shaft on both sides |
| | | | <u>Housing</u> |
| | | | A Surface mount housing, grey |
| | | | <u>Zero setting</u> |
| | | | 010 With reset lever |

Revolution counter

U 411. 010 A 01

| | | | |
|--|--|--|---|
| | | | |
| | | | <u>Display / direction of rotation</u> |
| | | | A 5 digits 99 999 / I |
| | | | B 5 digits 99 999 / II |
| | | | <u>Count mode / drive</u> |
| | | | 01 1 revolution = 1 digit / drive shaft at bottom |
| | | | <u>Housing</u> |
| | | | A Surface mount housing, grey |
| | | | <u>Zero setting</u> |
| | | | 010 With reset lever |

* Additional charge for special transmission

Totalizers mechanic

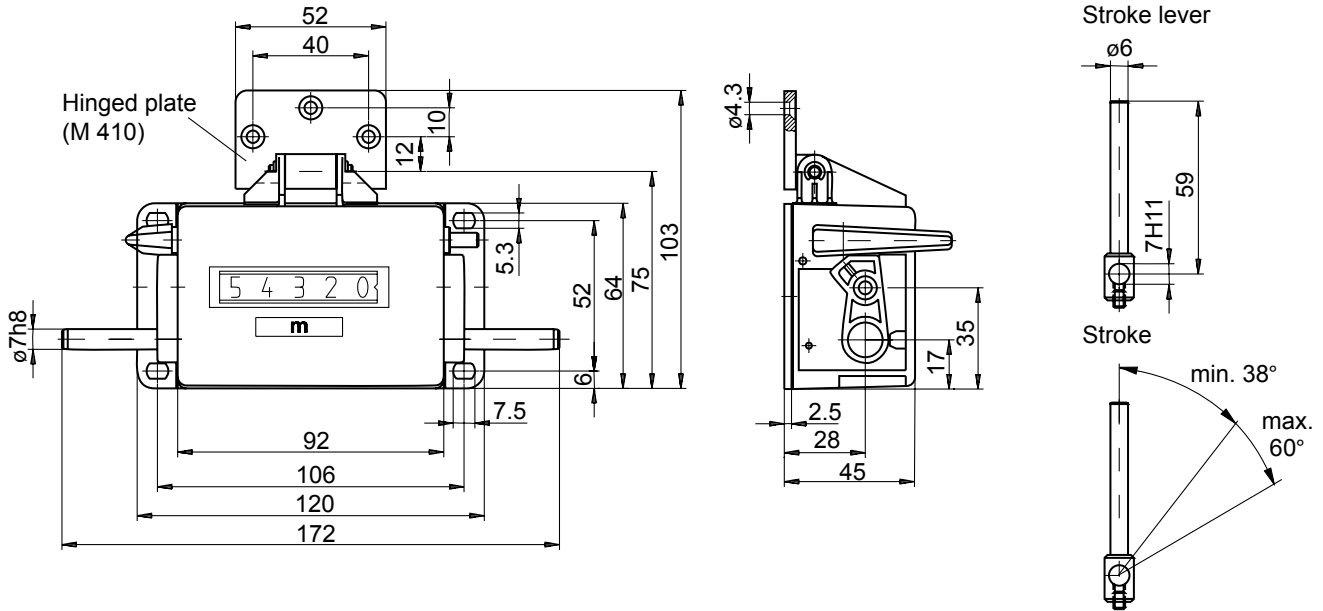
Stroke, meter and revolution counters

Display 5 digits, manual reset (zero) by lever

H 410, M 410, U 410, M 411, U 411

Dimensions

H 410, M 410, U 410



M 411, U 411

