

Tachogenerators

Blind hollow shaft $\varnothing 12$ to $\varnothing 16$ mm

Housing $\varnothing 85$ mm, bearingless configuration

GT 7



GT 7

Technical data - electrical ratings

Reversal tolerance	≤ 0.1 %
Linearity tolerance	≤ 0.15 %
Temperature coefficient	± 0.05 %/K (open-circuit)
Isolation class	B
Calibration tolerance	± 5 %
Climatic test	Humid heat, constant (IEC 60068-2-3, Ca)
Armature-circuit time-constant	< 4 μ s
Open-circuit voltage	10...60 mV per rpm
Interference immunity	EN 61000-6-2
Emitted interference	EN 61000-6-3
Approval	CE

GT 7.08

Performance	0.3 W (speed ≥ 5000 rpm)
-------------	-------------------------------

GT 7.16

Performance	0.6 W (speed ≥ 5000 rpm)
-------------	-------------------------------

Features

- Temperature compensation of tacho voltage as standard
- Open circuit voltage 10...60 mV per rpm
- Blind hollow shaft $\varnothing 12$...16 mm
- High signal quality due to patented LongLife technology
- Low moment of inertia
- No auxiliary energy source required

Technical data - mechanical design

Size (flange)	$\varnothing 70$ mm
Shaft type	$\varnothing 12$...16 mm (blind hollow shaft)
Protection DIN EN 60529	IP 55
Torque	1.5 Ncm
Materials	Housing: stainless steel / plastic Shaft: stainless steel
Operating temperature	-30...+130 °C
Resistance	IEC 60068-2-6 Vibration 10 g, 10-2000 Hz IEC 60068-2-27 Shock 100 g, 6 ms
Connection	Screw terminal connector Cable 0.6 m

GT 7.08

Rotor moment of inertia	0.4 kgcm ²
Weight approx.	110 g

GT 7.16

Rotor moment of inertia	0.55 kgcm ²
Weight approx.	180 g

Tachogenerators

Blind hollow shaft $\varnothing 12$ to $\varnothing 16$ mm
Housing $\varnothing 85$ mm, bearingless configuration

GT 7

Part number

GT7.08L/4

Open-circuit voltage
10 10 mV per rpm
20 20 mV per rpm
30 30 mV per rpm

GT7.16L/4

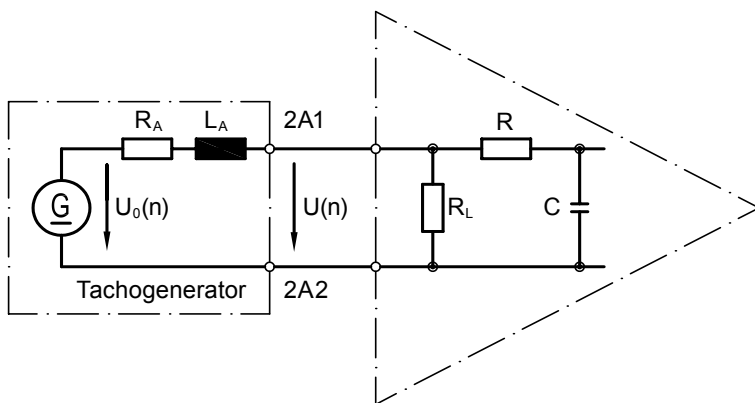
Open-circuit voltage
40 40 mV per rpm
60 60 mV per rpm

Data according to type

Type	Off-load voltage U_0 [mV/rpm]	Minimum load required depending on speed range [rpm]			Maximum operating speed n_{max} [rpm]	Armature resistance R_A (20°C) [Ω]	Armature inductance L_A [mH]
		0-3000	0-6000	0- n_{max}			
GT7.08L/410	10	≥ 5	≥ 12	≥ 27	9000	60	20
GT7.08L/420	20	≥ 20	≥ 48	≥ 108	9000	230	80
GT7.08L/430	30	≥ 45	≥ 108	≥ 243	9000	550	180
GT7.16L/440	40	≥ 40	≥ 96	≥ 216	9000	410	160
GT7.16L/460	60	≥ 90	≥ 215	≥ 223	6100	760	360

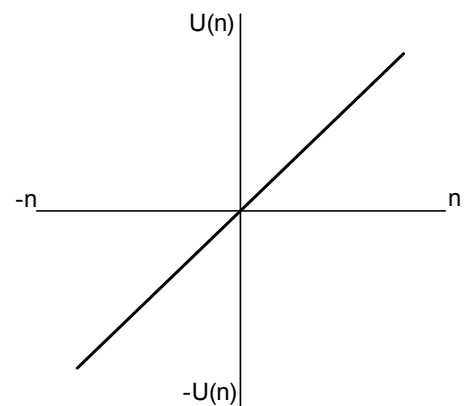
Superimposed ripple (for $\tau_{RC} = 0.3$ ms): $\leq 0.6\%$ (peak-peak) $\leq 0.25\%$ (rms)

Replacement switching diagram



$$\tau_{RC} \approx R \cdot C \quad \tau_A \approx \frac{L_A}{R_L}$$

Polarity for positive rotating direction: 2A1: + 2A2: - (VDE)



$$U(n) = U_0(n) \frac{R_L}{R_A + R_L} \approx U_0(n) \text{ for } R > R_L \gg R_A$$

Tachogenerators

Blind hollow shaft $\varnothing 12$ to $\varnothing 16$ mm

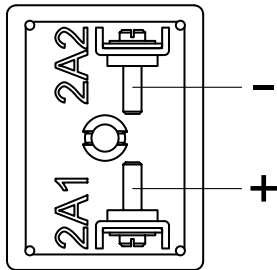
Housing $\varnothing 85$ mm, bearingless configuration

GT 7

Terminal assignment

View A - Connecting terminal

Polarity for positive direction of rotation



Accessories

Mounting cone

Carbon brushes

Tachogenerators

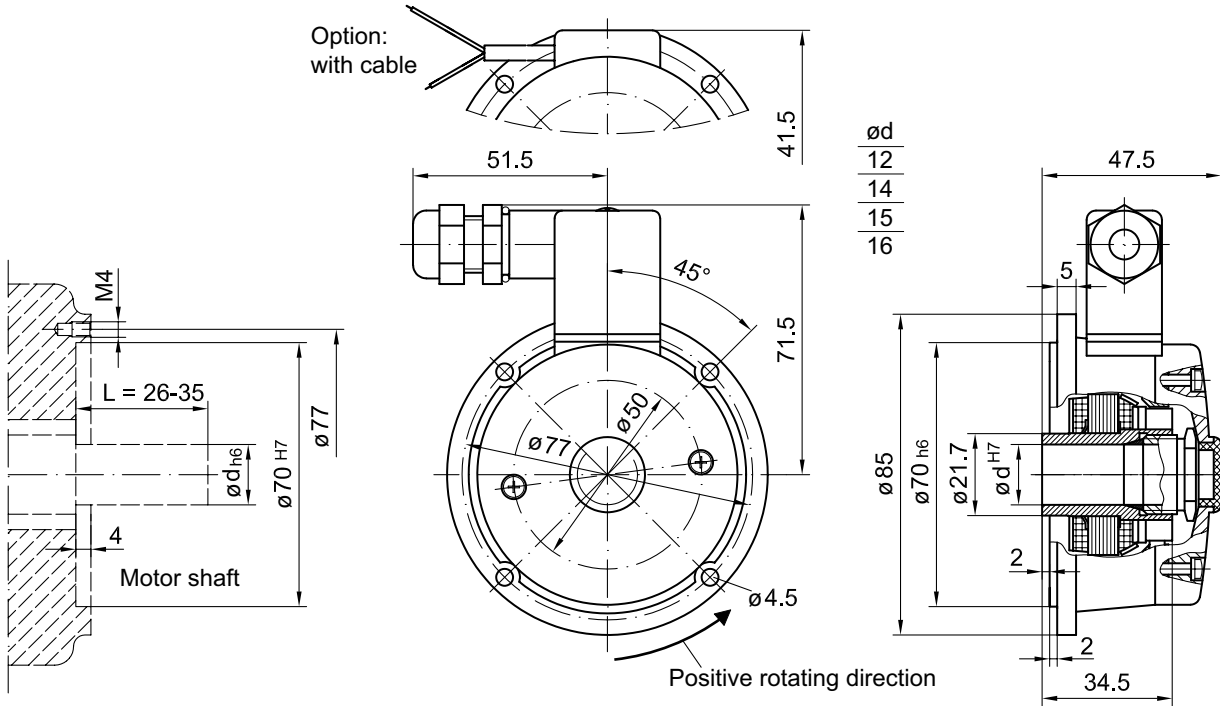
Blind hollow shaft $\varnothing 12$ to $\varnothing 16$ mm

Housing $\varnothing 85$ mm, bearingless configuration

GT 7

Dimensions

GT 7.08 - Open-circuit voltage 10...30 mV per rpm



GT 7.16 - Open-circuit voltage 40...60 mV per rpm

