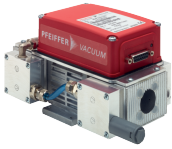
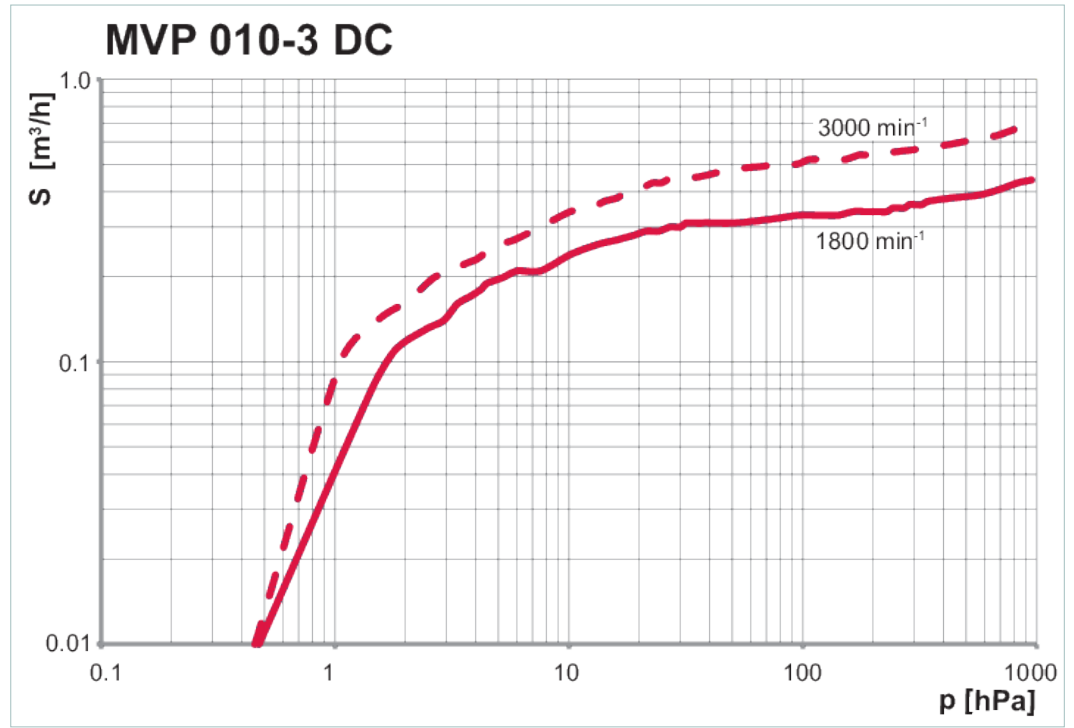


# MVP 010-3 DC, Diaphragm pump

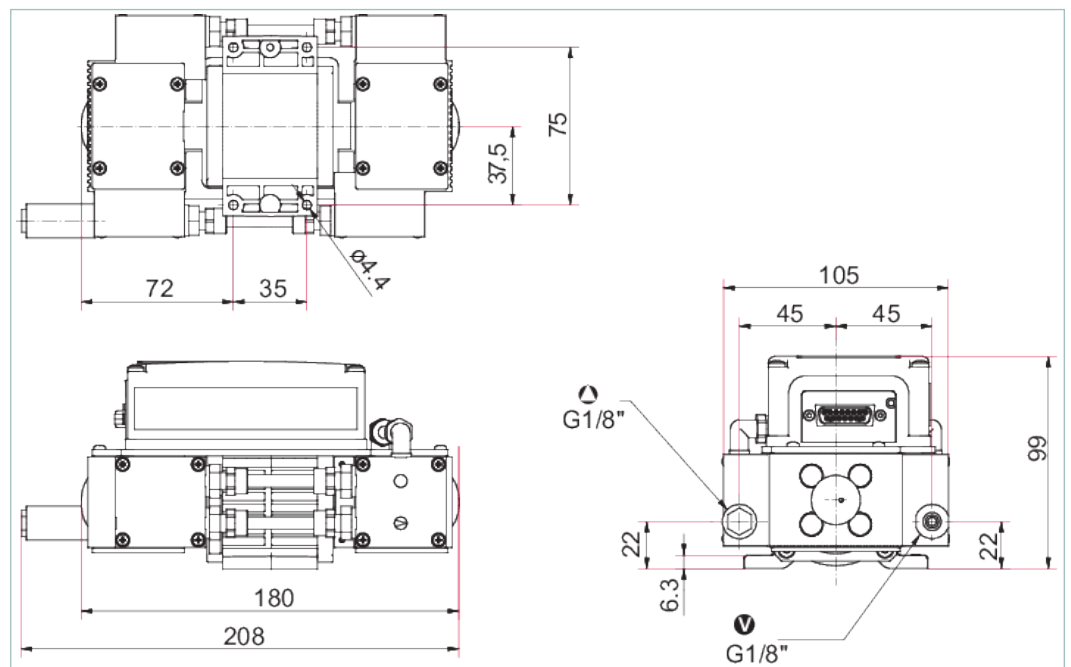


Similar Image

## MVP 010-3 DC, Diaphragm pump



### Dimensions



### Technical Data

### MVP 010-3 DC, Diaphragm pump

Ambient temperature	5-40 °C   41-104 °F   278-313 K
Cooling method, standard	Air
Dimensions (L x W x H)	180 x 105 x 99 mm   7.09 x 4.13 x 3.9 inch
Exhaust pressure, max.	1,100 hPa   825 Torr   1,100 mbar

Technical Data	MVP 010-3 DC, Diaphragm pump
Flange (in)	G 1/8"
Flange (out)	G 1/8" + silencer
Intake pressure max.	1,100 hPa   825 Torr   1,100 mbar
Interfaces	RS-485
Leak rate	$\leq 5 \cdot 10^{-4}$ Pa m <sup>3</sup> /s
Operating altitude, max.	2000 m
Protection category	IP 20
Pumping speed, max.	0.6 m <sup>3</sup> /h
Rated current absorption	1.3 A
Rotation speed	500-3,000 rpm   500-3,000 min <sup>-1</sup>
Rotation speed max.	3,000 rpm   3,000 min <sup>-1</sup>
Rotation speed min.	500 rpm   500 min <sup>-1</sup>
Sound pressure level	$\leq 50$ dB(A)
Temperature: Storage	5-40 °C   41-104 °F   278-313 K
Ultimate pressure without gas ballast	$\leq 1$ hPa   $\leq 0.75$ Torr   $\leq 1$ mbar
Voltage: Range	$\pm 10$ %
Weight	2 kg   4.41 lb

Order number	
MVP 010-3	PK T05 072

Accessories	
<b>Control and display units</b>	
DCU 002, Display Control Unit	PM 061 348 -T
HPU 001, Handheld Programming Unit	PM 051 510 -T
<b>DCU with integrated power supply</b>	
DCU 110, Display control unit incl. power supply	PM C01 820
<b>Mains cables</b>	
Mains cable 230 V AC, CEE 7/7 to C13, 3 m	P 4564 309 ZA
Mains cable 115 V AC, NEMA 5-15 to C13, 3 m	P 4564 309 ZE
<b>Accessories Diaphragm pumps</b>	
Mains cable 115 / 230 V without plug, with IEC 320/C13 socket (straight), 3 m	P 4564 309 ZH
Connection cable MVP-TC-TPS, 3 m	PE 100 013 -T
Screw-in flange DN 16 ISO-KF / G 1/8" incl. seal	PK 050 108 -T
Hose DN 6; ( $\varnothing$ 8/6 mm) polyethylene	P 0991 939
Hose connection DN 6x400 mm with straight fitting G 1/8" and G 1/4" including seal	P 0920 739 E
Hose connection DN 6x1000 mm with straight fitting G 1/8" and G 1/4" including seal	P 0920 817 E
Foot plate with damper	PK 050 273
Push-in T-fitting G 1/8"	P 4131 030 E
TPS 110, mains pack for wall/standard rail fitting	PM 061 340 -T
<b>Connection cables</b>	
Connection cable for HiPace with TC 110/120	PM 061 543 -T
Connection cable with RS-485 interface for TC 110/120 to power supply	PM 061 350 -T
<b>RS-485 accessories</b>	
USB converter to RS-485 interface	PM 061 207 -T
Y-Connector M12 to RS-485	P 4723 010
<b>Accessories RS-485</b>	
Interface cable, M12 m straight/M12 m straight, 3 m	PM 061 283 -T
<b>Mains pack 19" rack module 3HU with front panel</b>	
TPS 111, mains pack 19" rack module 3HU	PM 061 344 -T

## **VACUUM SOLUTIONS FROM A SINGLE SOURCE**

Pfeiffer Vacuum stands for innovative and custom vacuum solutions worldwide, technological perfection, competent advice and reliable service.

## **COMPLETE RANGE OF PRODUCTS**

From a single component to complex systems:

We are the only supplier of vacuum technology that provides a complete product portfolio.

## **COMPETENCE IN THEORY AND PRACTICE**

Benefit from our know-how and our portfolio of training opportunities!

We support you with your plant layout and provide first-class on-site service worldwide.

Are you looking for a  
perfect vacuum solution?  
Please contact us:

**Pfeiffer Vacuum GmbH**  
Headquarters · Germany  
T +49 6441 802-0  
info@pfeiffer-vacuum.de

[www.pfeiffer-vacuum.com](http://www.pfeiffer-vacuum.com)

All data subject to change without prior notice.

**PFEIFFER**  **VACUUM**