

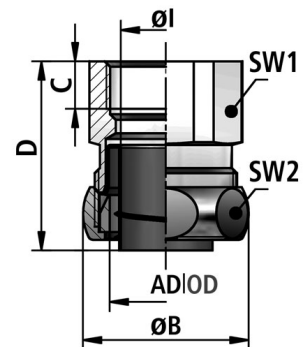
**US2-M | metric thread****Connectors**

Metal connector, safety-type, straight, metric inner thread, incl. ferrule [brass] and brass thrust collar [MSD]

**Temperature:** -40°C ... +250°C

**Material:** nickel-plated brass

**Protection class [acc. to EN 60529]:** IP4



FLEXA No.	OD [mm]	Thread type	Conduit DI	Conduit OD	Ø I [mm]	Ø B [mm]	C [mm]	D [mm]	WS1 [mm]	WS2 [mm]	Weight [kg/100]	PU [pcs.]
15018328012	14,0	M12 x 1,5	10,0	14,0	7,5	23,0	8,0	27,0	21	21	2,300	10
15018335016	17,0	M16 x 1,5	12,0	17,0	11,0	27,0	8,0	27,0	24	25	3,000	10
15018335020	21,0	M20 x 1,5	15,0	21,0	14,5	31,0	10,0	30,0	30	29	4,000	10
15018335025	27,0	M25 x 1,5	20,0	27,0	19,5	39,0	11,0	37,0	36	36	7,600	10
15018328032	36,0	M32 x 1,5	29,0	36,0	27,5	48,0	11,0	39,0	46	45	10,100	10
15018335040	45,0	M40 x 1,5	37,0	45,0	35,5	57,0	12,0	42,0	55	54	13,500	5
15018335050	56,0	M50 x 1,5	48,0	56,0	47,0	70,0	12,0	46,0	65	66	20,000	5

Recommendations for any areas of applications, products, or product combinations are issued to the best of FLEXA's knowledge and experience. The user is requested to check applicability of FLEXA products to specific applications and purposes prior to the use of the particular products. All documentation, illustrations, and charts published are subject to copyright and must not be copied, changed, used, or modified. Technical drawings, certificates, authorizations, and results by the FLEXA lab will be provided upon request. FLEXA will not be held liable for typographical or other errors and incorrect drawings. Technical modifications are subject to change without prior notice.