

Industrial and general service gauges

Model 1009

According ASME B40.1
 Nominal size 4 ½ and 6 inch
 Accuracy: Grade 1A (1 %)

Features

- Rugged construction
- Protection IP54 or IP65
- Overload protection 130 %
- Dry, liquid filled or liquid less (*PLUS!* gauge)
- Measuring system stainless steel or Monel

Ranges

-1 ... 0 bar up to 0 ... 1600 bar
 -30 in. Hg ... 0 psi up to 0 ... 30.000 psi

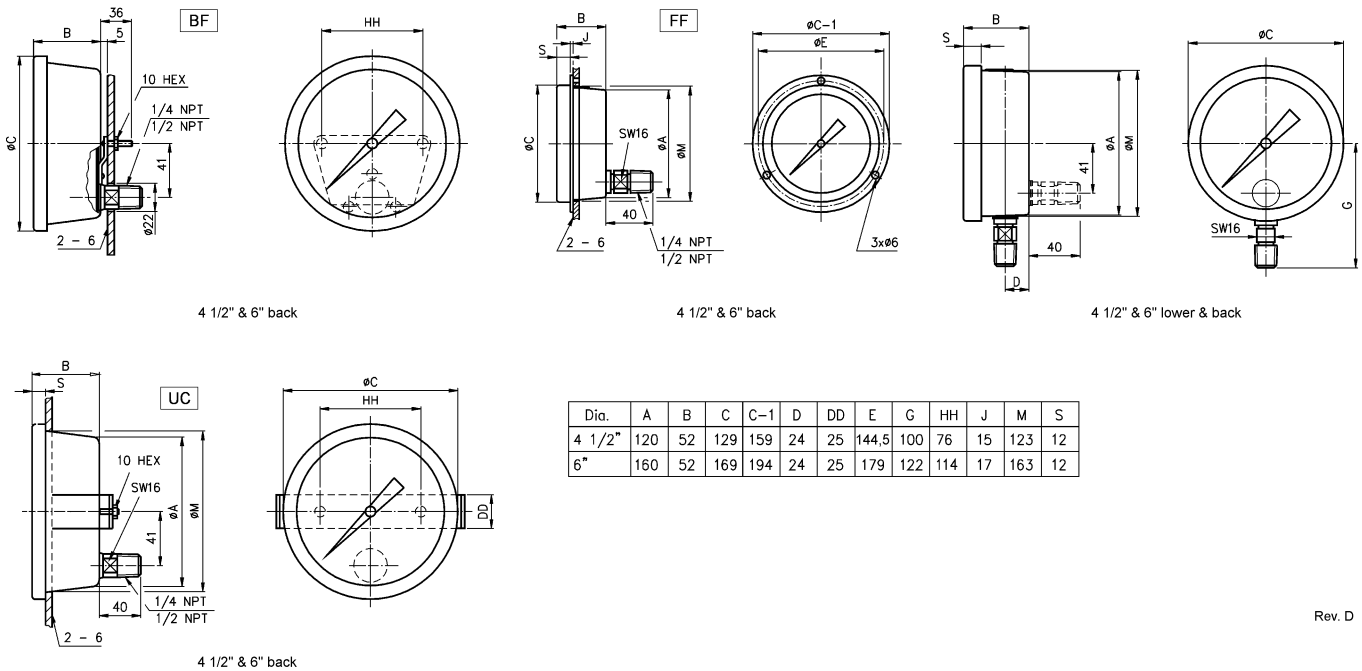
Applications

Chemical and petrochemical industry
 Machine and apparatus construction
 Food and beverage industry
 Pulp and paper industry



Technical specification	1009	
Dial size in inch	4 ½	6
Construction	Open front with bayonet ring	
Measuring principle	Bourdon tube	
Range in bar	1 1,6 2,5 4 6 10 16 25 40 60 100 160 250 400 600 1000 1600	
Overpressure limit	-1/0 -1/0,6 -1/1,5 -1/3 -1/5 -1/9	
Pressure type	130 % F.S., short time	
Process connection	Gauge, vacuum and compound	
Connection location	¼ NPT male, ½ NPT male according ANSI/ASME B1.20.1 G ½ B male, R ½ male tapered (DIN 2999) (metric connection not for brass socket) 9/16-18 UNF-2B Aminco, others on request	
Material	Lower, back	
Pressure connection	Brass, stainless steel 316L (1.4404) or Monel	
Tube	Bronze, stainless steel 316L (1.4404) or Monel (Monel not for dial size 6")	
Case/ring	Stainless steel 304 (1.4301) polished	
Window	Instrument glass, optional laminated safety glass or acrylic glass	
Dial	Aluminum, black markings on white background	
Pointer	Aluminum, black, micrometer adjustment, red set hand, minimum or maximum pointer on request	
Movement	Stainless steel 400 series	
Accuracy	Grade 1A (1 % F.S.), 0,5 % with option DX (former type 1320)	
Permissible		
Ambient temperature	-25 ... 60 °C, liquid filled -45 ... 120 °C	
Medium temperature	Max. 120 °C	
Storage temperature	-40 ... 65 °C	
Effect	Max. 0,3 % / 10 K	
Protection according EN 60 529/IEC 529	IP54 (dry), IP65 (liquid filled), optional IP65 for dry gauges	
Filling liquids	Glycerin, silicone, halocarbon, others on request Optional dampened movement (liquid less gauge), functions as liquid filled gauge (<i>PLUS!</i> gauge)	
Mounting	Standard stem, optional flush or surface	
Weight dry/filled in kg	0,8/1,2	1,0/1,6
Accessories, options	Diaphragm seals, valves, NACE	

General dimensions in mm



Rev. D

Order information

Size	System material	Execution	Process connection	Connection orientation	Range	Engineering units	Filling	Options
(45) 4 1/2" (115 mm)	(A) Bronze tube, brass socket (max. 60 bar)	(S) 316L (1.4404) (max. 1400 bar)	(=) Standard IP54	(L) Lower	-1/ 0	(BAR)	(=) Standard no filling	(NH) Tagging wired
			(L) Liquid filled IP65	(B) Back	-1/ 1,5			
(60) 6" (150 mm)	(P) Monel (only dial size 4 1/2")	(S) 316L (1.4404) (max. 1400 bar)	(04) 1/2 NPT male ¹⁾	(02) 1/4 NPT male ¹⁾	-1/ 3	(GV) Silicone	(TX) Throttle screw stainless steel (not for process connection 09)	(6B) Oxygen cleaned (not for brass connection)
			(09) 9/16-18 UNF-2B Aminco	(15) G 1/2 B male ^{1) 2)}	-1/ 5			
			(KQ) R 1/2 male tapered DIN 2999 ^{1) 2)}		-1/ 9	(GR) Glycerin	(PD) Acrylic glass	
					0/ 1	(GX) Halo-carbon	(SG) Safety glass	
					0/ 1,6		(SH) Red set hand stationary	
					0/ 2,5		(EP) Maximum pointer, adjustable	
					0/ 4		(FF) Front flange	
					0/ 6		(BF) Wall mounted bracket	
					0/ 10		(UC) U-clamp	
					0/ 16		(LJ) Field fillable (only for execution "=", IP65)	
					0/ 25		(LL) Liquid less gauges (Halocarbon filling not allowed)	
					0/ 40		(DX) Accuracy 0,5 % (ASME Grade 2A) (equivalent to obsolete model 1320 gauge)	
					0/ 60			
					0/ 100			
					0/ 160			
					0/ 250			
					0/ 400			
					0/ 600			
					0/1000			
					0/1600			
						psi and others on request		

Order example

Size	Type	System material	Execution	Process connection	Connection orientation	Range	Engineering unit	Filling	Options
45	1009	S	L	02	L	0/16	BAR	GR	NH

Ashcroft Instruments GmbH

Germany
Max-Planck-Str. 1,
D-52499 Baesweiler
P.O. Box 11 20, D-52490 Baesweiler
Tel.: +49 (0) 2401 808-0

France
„206“ ZA du Mandinet, 1/3 Rue des Campanules,
F-77185 Lognes
Tel.: +33 (0) 1 60 37 25 30

Website: www.ashcroft.eu
Ashcroft Instruments Ltd.
Unit 17 & 18 William James House
Cowley Road,
Cambridge CB4 0WX
Tel.: +44 (0) 12 23 39 55 00

e-Mail: sales@ashcroft.com
Ashcroft ISTANBUL
Gayrettepe Mah. Yildiz Posta Cad.
Yildiz Residence No:24 K:1 D:4
34349 Besiktas -Istanbul
Tel.: +90 (0)212 3270847