

Temperature switch series VT

with pneumatic switch valve

Accuracy: ± 1 %

Features

- Ambient temperature -20 ... 70 °C
- 5/2 way pneumatic valve
- Pneumatic operation pressure 2 ... 10 bar or 1 ... 3 bar
- Rigid stem and capillary types up to 15 m

Ranges

-40/16 °C up to 260/400 °C

-40/60 °F up to 500/750 °F

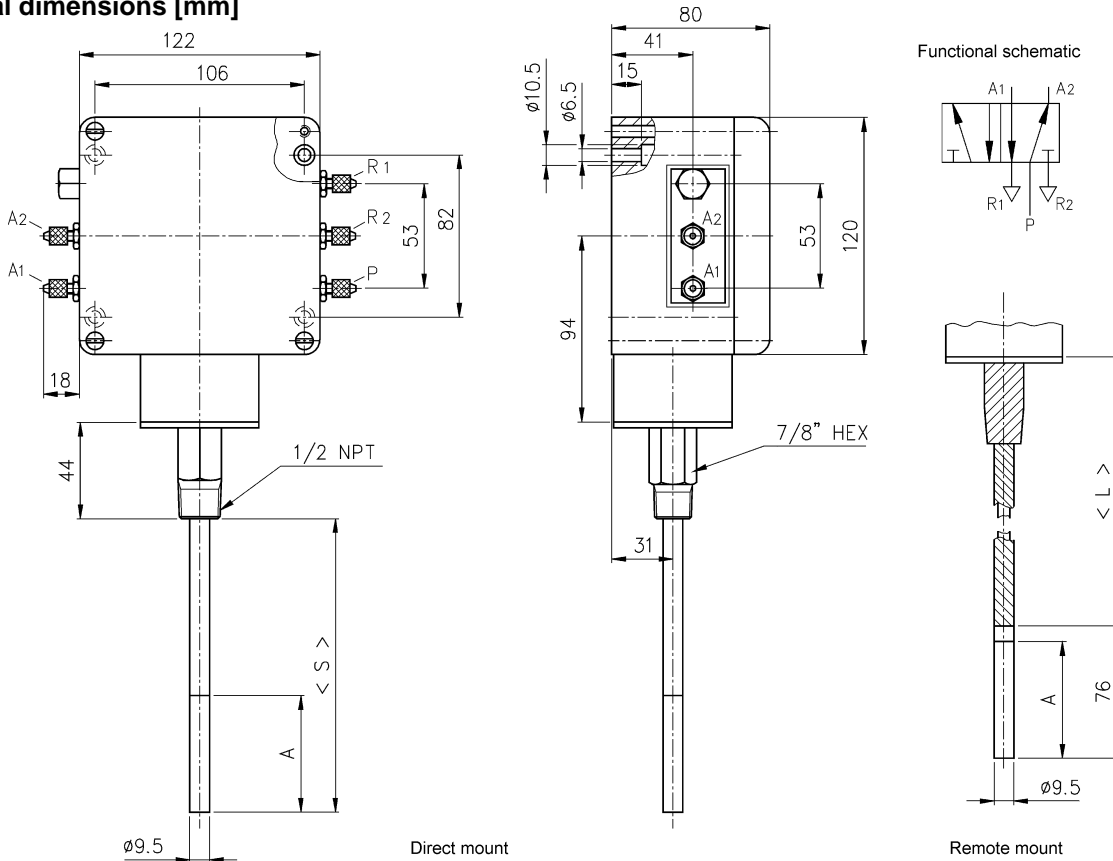
Applications

Chemical and petrochemical industry
 Machine and apparatus construction
 Food and beverage industry
 Pulp and paper industry



Technical specification	VT series
Construction	Weatherproof
Switch functions	One setpoint, 5/2 way pneumatic valve (see functional schematic)
Adjustable range	From 15 % to 100 %, below 15 % consult factory
Deadband	From 0,5 % to 15 % F.S., depending on material, range and pneumatic valve
Measuring principle	Piston/cylinder system, actuated by a vapor pressure system, SAMA Class II system
Range [°C]	-40/16 -20/40 20/95 65/125 110/190 175/275 260/400
[°F]	-40/60 0/100 75/205 150/260 235/375 350/525 500/750
Limits (temperature ranges)	-40/16 °C, -20/40 °C, 20/95 °C and 65/125 °C 110/190 °C 175/275 °C 260/400 °C
max. temperature	204 °C 260 °C 371 °C 482 °C
Stem diameter	3/8" (9,5 mm)
Stem length	2 3/4" (70 mm) 4" (102 mm) 6" (152 mm) 9" (229 mm) 12" (305 mm)
Bulb length (capillary type)	3" (76 mm)
Capillary length	5' (1,5 m) 10' (3,0 m) 15' (4,5 m) 20' (6,0 m) 25' (7,5 m) longer lengths on request
Process connection	1/2 NPT male for rigid stem, 1/2 NPT bushing sliding on capillary or bulb
Connection location	Lower
Material	
Connection	Stainless steel 316 (1.4401)
Bushing	Stainless steel 316 (1.4401)
Capillary and armor	Stainless steel 316 (1.4401)
Housing	Aluminum, epoxy coated grey
Accuracy	1 % F.S.
Pneumatic specification	
Valve	Nominal size 2 mm (DN2)
Air supply	2 bar to 10 bar, nominal calibrated 3 bar, air to be dry and filtered (5 µm), optional 1 bar to 3 bar
Pneumatic connection	Nipple DN2 for tube (brass), 1/4 NPT female or 1/4 NPT male, G 1/4 B male or G 1/4 female Located at the side of the housing
General specification	
Permissible	
Ambient temperature	-20 ... 70 °C
Storage temperature	-40 ... 70 °C
Effect	Max. 0,4 % / 10 K ref. 20 °C
Protection according EN 60 529/IEC 529	IP65
Mounting	Direct or rigid stem, wall or 2" pipe mounting (TM) with capillary system
Weight rigid stem/capillary [kg]	1,8/2,3 (with 1 m capillary)
Accessories, options	Thermowells screwed or flanged

General dimensions [mm]



S = stem length (specify by customer), L = capillary length (specify by customer), A = active bulbe length 59 mm

Rev. D

Order information

Switch element	Thermal system	Bulb length	Range	Engineering unit	Protection	Air connection	Options
(W4) 5/2 way pneumatic valve	With capillary	With capillary	-40/ 16 -20/ 40 20/ 95 65/ 125 110/ 190 175/ 275 260/ 400 ¹⁾	°C	(IP) Standard IP65	(DN2) Tube nipple DN2	(NH) Tagging wired (FS) Factory adjusted setpoint
	(T05) 5' (1,5 m) (T10) 10' (3,0 m) (T15) 15' (4,5 m)	(030) bulb 3" (76 mm)					
(W2) 5/2 way pneumatic valve	With capillary	With capillary	-40/ 60 0/ 100 75/ 205 150/ 260 235/ 375 350/ 525 500/ 750 ¹⁾	°F	(IP) Standard IP65	(02) 1/4 NPT male (25) 1/4 NPT female (13) G 1/4 B male (26) G 1/4 female (37) 3/8 NPT female	(TM) 2" pipe mounting bracket (69C) Adjustable union connection on capillary (69H) Adjustable union connection on bulb
	(T20) 20' (6,0 m) (T25) 25' (7,5 m) longer capillary on request	(030) bulb 3" (76 mm)					
	Rigid stem	Rigid stem					
	(TS) direct mounted	(027) 2 3/4" (70 mm) ¹⁾ (040) 4" (102 mm) (060) 6" (152 mm) (090) 9" (229 mm) (120) 12" (305 mm)					

¹⁾ not for 175/275 °C and 350/525 °F

¹⁾ only for remote thermal system

How to order

Type	Switch element	Thermal system	Bulb length	Range	Engineering units	Protection	Air connection	Option
VT	W4	T20	030	-20/40	C	IP	02	NH

Ashcroft Instruments GmbH

Germany
Max-Planck-Str. 1, D-52499 Baesweiler
P.O. Box 11 20, D-52490 Baesweiler
Tel.: +49 (0) 2401 808-0, Fax: +49 (0) 2401 808-125

France
„206“ ZA Le Mandinet 1/3 Rue des Campanules
F-77185 Lognes
Tel.: +33 (0) 1 60 37 25 30, Fax: +33 (0) 1 60 37 25 39

Website: www.ashcroft.eu

United Kingdom
Unit 5 William James House
Cowley Road, Cambridge CB4 0WX
Tel.: +44 (0) 12 23 39 55 00, Fax: +44 (0) 12 23 39 55 01

e-Mail: sales@ashcroft.com