



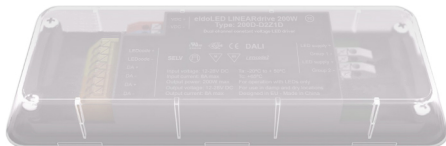
Colour
is our nature

8A DALI Full-Colour Dimmable LED Driver

LINEARdrive

LINEARdrive gives you all the control you need for your low-voltage LED application. This constant voltage LED driver is DALI compatible and enables you to create the perfect shade of white or show sequence without an external controller. Symbiosis ensures the LED driver works seamlessly together with LED modules, controls and intelligent luminaire elements.

Product offering



LINEARdrive 210/D-BIS

Part number (P/N)	LIN210D1-BIS
Product description	LINEARdrive, 200W, DALI , 1 control channels, constant voltage, 2 outputs, plastic long

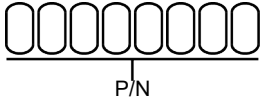
Programming tools

Programming interface	TOOLbox pro (TLU20504)
Programming cable set	TOOLbox pro to LED driver, programming cable, 5pcs (TLC03051)
Programming software	FluxTool

Warranty

Warranty period	General Terms and Conditions
-----------------	--

Order number configurator



P/N	LED driver part number
-----	------------------------

Input characteristics

Nominal input voltage DC	12 - 28V
Maximum input current	8A, irrespective of PSU voltage

Output characteristics

LED output load	8A maximum, irrespective of whether using one or both LED outputs
Maximum LED output power	200W
Number of LED outputs	2
LED output voltage	12 - 28V
Auxiliary output voltage	equal to input voltage
Auxiliary output current	180mA @ 12V, 90mA @ 24V
Maximum auxiliary output power	2W
Circuit protection	To prevent excessive output current from damaging the LED driver, it is highly recommended to use circuit protection appropriate for your application's nominal and inrush current requirements in combination with an OVP, OVC short circuit protected AC/DC adapter.

Control characteristics

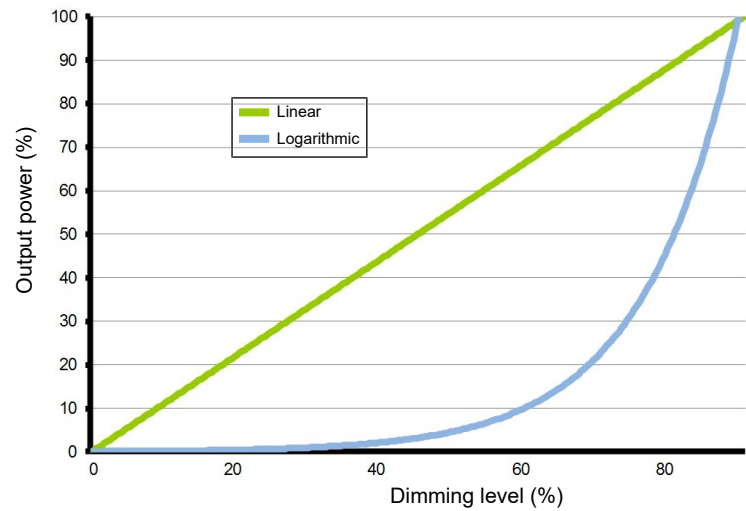
Control channels	1
Control protocol	DALI version-1, Device Type 6

Dimming range 100% - 0.1%

Dimming curve options Logarithmic (default)
Linear

Dimming method HydraDrive

Dimming curves

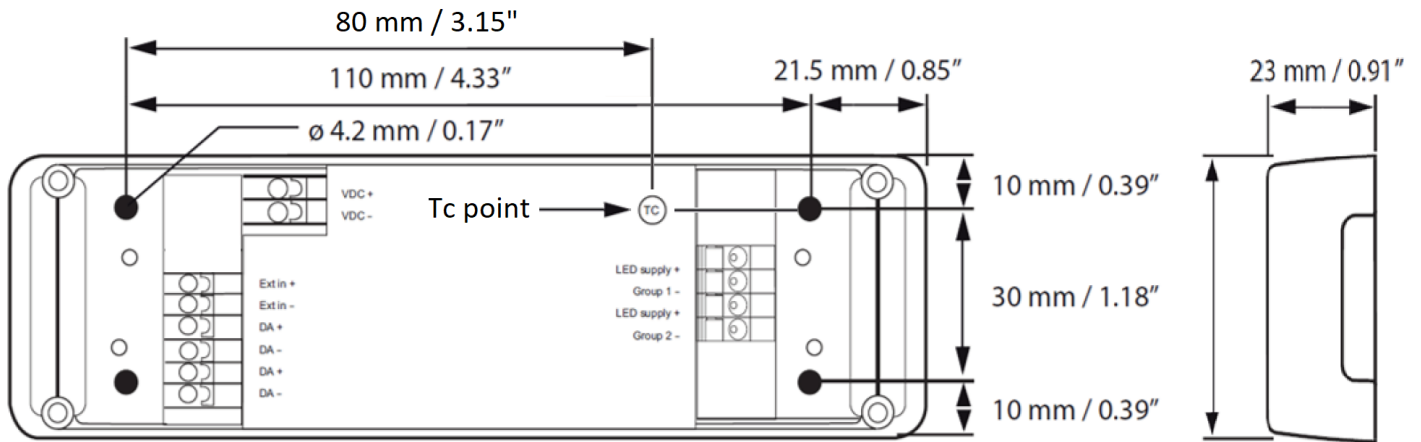


Environmental conditions

Operating ambient temperature (Ta) range -20 °C to +50 °C

Maximum operating case temperature (Tc max) 65 °C

LED driver mechanical details



Length (L)	typical: 153 mm / 6.02 in
Width (W)	typical: 50 mm / 1.97 in
Height (H)	typical: 23 mm / 0.91 in
Weight	120 g

Packaging

Products per box	12 pcs
------------------	--------

Connector layout



Wiring specifications

Wire core cross section	0.2 - 1.5 mm ² AWG 24 – 16
Wire strip length	9.0 mm / 0.35 inch

Standards and compliance

ENEC safety	EN 61347-1
Conducted emissions	EN 55015
Radiated emissions	EN 55015
DALI	EN 62386-101/102/207
BIS	Compulsory Registration Scheme for Electronic and IT Products given in Circular No. Ref: CMD 3/8: 1/6975 dated 03/12/2015. Registration number: R-41141208.
Restriction of hazardous substances	RoHS3 (Directives 2011/65/EU-2015/863/EU)
SVHC-list substances	REACH Art.33

Certifications



Safety

	Risk of electrical shock. May result in serious injury or death. Disconnect power before servicing or installing.
	The LED driver may only be connected and installed by a qualified electrician. All applicable regulations, legislation, and building codes must be observed. Incorrect installation of the LED driver can cause irreparable damage to the LED driver and the connected LEDs. Pay attention when connecting the LEDs: polarity reversal results in no light output and often damages the LEDs.
	LED drivers are designed and intended to operate LED loads only. Powering non-LED loads may push the LED driver outside its specified design limits and is, therefore, not covered by any warranty.
	eldoLED products are designed to meet the performance specifications as outlined at certain operating conditions in the data sheet. It is the responsibility of the fixture manufacturer to test and validate the design and operation of the system under expected and potential use cases, including faults.
	Please observe voltage drop over long cable lengths. Longer cable lengths increase EMI susceptibility.
	Product renderings and dimensional drawings are generic for the housing type. Product label, connector type and quantity may vary.

Europe, Rest of World

eldoLED B.V.
Science Park Eindhoven 5125
5692 ED Son
The Netherlands

E: info@eldoled.com
W: www.eldoled.com

North America

eldoLED America
One Lithonia Way
Conyers, GA 30012
USA

E: info@eldoled.com
W: www.eldoled.com
