



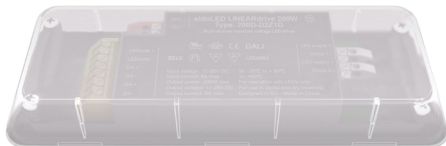
Colour
is our nature

8A DMX/RDM Full-Colour Dimmable LED Driver

LINEARdrive

LINEARdrive gives you all the control you need for your low-voltage LED application. This constant voltage LED driver is DMX/RDM compatible and enables you to create the perfect shade of white or show sequence without an external controller. Symbiosis ensures the LED driver works seamlessly together with LED modules, controls and intelligent luminaire elements.

Product offering



LINEARdrive 212/D-BIS

| | |
|---------------------|--|
| Part number (P/N) | LIN212D1-BIS |
| Product description | LINEARdrive, 200W, DMX/RDM , 1 control channels, constant voltage, 2 outputs, plastic long |

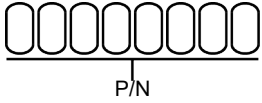
Programming tools

| | |
|-----------------------|---|
| Programming interface | TOOLbox pro (TLU20504) |
| Programming cable set | TOOLbox pro to LED driver, programming cable, 5pcs (TLC03051) |
| Programming software | FluxTool |

Warranty

| | |
|-----------------|--|
| Warranty period | General Terms and Conditions |
|-----------------|--|

Order number configurator



| | |
|-----|------------------------|
| P/N | LED driver part number |
|-----|------------------------|

Input characteristics

| | |
|--------------------------|---------------------------------|
| Nominal input voltage DC | 12 - 28V |
| Maximum input current | 8A, irrespective of PSU voltage |

Output characteristics

| | |
|--------------------------------|--|
| LED output load | 8A maximum, irrespective of whether using one or both LED outputs |
| Maximum LED output power | 200W |
| Number of LED outputs | 2 |
| LED output voltage | 12 - 28V |
| Auxiliary output voltage | equal to input voltage |
| Auxiliary output current | 180mA @ 12V, 90mA @ 24V |
| Maximum auxiliary output power | 2W |
| Circuit protection | To prevent excessive output current from damaging the LED driver, it is highly recommended to use circuit protection appropriate for your application's nominal and inrush current requirements in combination with an OVP, OVC short circuit protected AC/DC adapter. |

Control characteristics

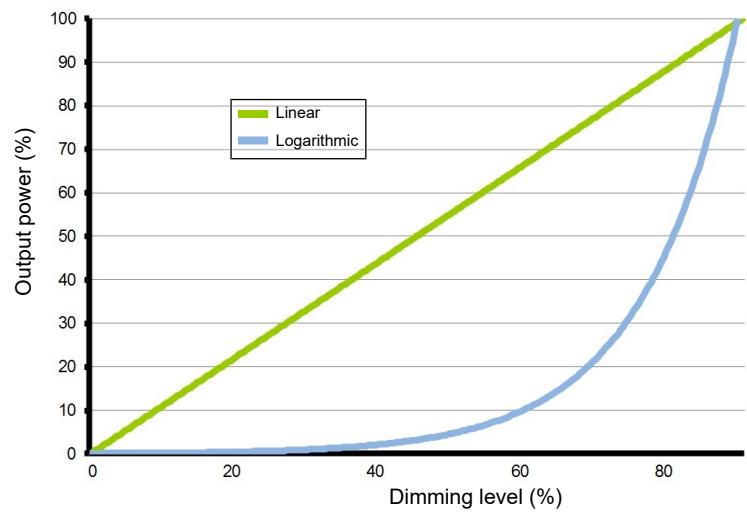
| | |
|------------------|---------|
| Control channels | 1 |
| Control protocol | DMX/RDM |

Dimming range 100% - 0.1%

Dimming curve options
 Logarithmic (default)
 Linear
 Logarithmic (default)
 Linear
 Square

Dimming method HydraDrive

Dimming curves

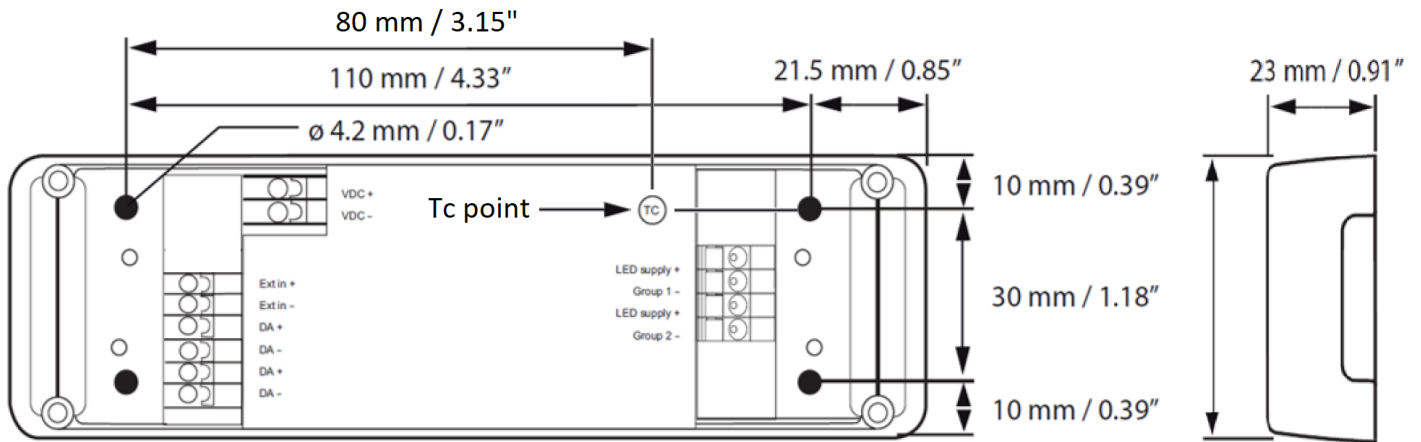


Environmental conditions

Operating ambient temperature (Ta) range -20 °C to +50 °C

Maximum operating case temperature (Tc max) 65 °C

LED driver mechanical details



| | |
|------------|---------------------------|
| Length (L) | typical: 153 mm / 6.02 in |
| Width (W) | typical: 50 mm / 1.97 in |
| Height (H) | typical: 23 mm / 0.91 in |
| Weight | 120 g |

Packaging

| | |
|------------------|--------|
| Products per box | 12 pcs |
|------------------|--------|

Connector layout



Wiring specifications

| | |
|-------------------------|--|
| Wire core cross section | 0.2 - 1.5 mm ² AWG 24 – 16 |
| Wire strip length | 9.0 mm / 0.35 inch |

Standards and compliance

| | |
|-------------------------------------|---|
| ENEC safety | EN 61347-1 |
| Conducted emissions | EN 55015 |
| Radiated emissions | EN 55015 |
| DMX | E1.11 – 2008, USITT DMX512-A ANSI E1.20 |
| BIS | Compulsory Registration Scheme for Electronic and IT Products given in Circular No. Ref: CMD 3/8: 1/6975 dated 03/12/2015. Registration number: R-41141208. |
| Restriction of hazardous substances | RoHS3 (Directives 2011/65/EU-2015/863/EU) |
| SVHC-list substances | REACH Art.33 |

Certifications



Safety



Risk of electrical shock. May result in serious injury or death. Disconnect power before servicing or installing.



The LED driver may only be connected and installed by a qualified electrician. All applicable regulations, legislation, and building codes must be observed. Incorrect installation of the LED driver can cause irreparable damage to the LED driver and the connected LEDs.

Pay attention when connecting the LEDs: polarity reversal results in no light output and often damages the LEDs.



LED drivers are designed and intended to operate LED loads only. Powering non-LED loads may push the LED driver outside its specified design limits and is, therefore, not covered by any warranty.



eldoLED products are designed to meet the performance specifications as outlined at certain operating conditions in the data sheet. It is the responsibility of the fixture manufacturer to test and validate the design and operation of the system under expected and potential use cases, including faults.



Please observe voltage drop over long cable lengths. Longer cable lengths increase EMI susceptibility.



Product renderings and dimensional drawings are generic for the housing type. Product label, connector type and quantity may vary.

Europe, Rest of World

eldoLED B.V.
Science Park Eindhoven 5125
5692 ED Son
The Netherlands

E: info@eldoled.com
W: www.eldoled.com

North America

eldoLED America
One Lithonia Way
Conyers, GA 30012
USA

E: info@eldoled.com
W: www.eldoled.com
