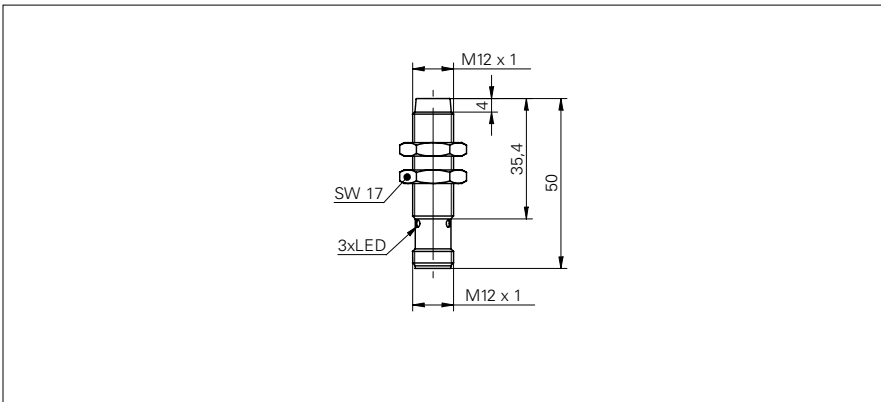


**Inductive proximity switch**

**IFRM 12 (Sn = 10 mm, short)**

**sample drawing**



**general data**

mounting type	non-flush
special type	enhanced distance (GammaProx)
nominal sensing distance Sn	10 mm
hysteresis	2 ... 25 % of Sr

**electrical data**

switching frequency	< 400 Hz
voltage supply range +Vs	12 ... 30 VDC
current consumption max. (no load)	24 mA
voltage drop Vd	< 2 VDC
output current	< 200 mA
short circuit protection	yes
reverse polarity protection	yes

**mechanical data**

type	cylindrical threaded
material (sensing face)	PBT
housing material	brass nickel plated
dimension	12 mm

**cable, 2 m**

housing length	40 mm
----------------	-------

**connector M12**

housing length	50 mm
----------------	-------

**ambient conditions**

operating temperature	0 ... +60 °C
protection class	IP 67

order reference	connection types	output circuit	output indicator
<b>IFRM 12N13G3/L</b>	cable, 2 m	NPN make function (NO)	LED red
<b>IFRM 12N13G3/S14L</b>	connector M12	NPN make function (NO)	3 port LED red
<b>IFRM 12N33G3/L</b>	cable, 2 m	NPN break function (NC)	LED red
<b>IFRM 12N33G3/S14L</b>	connector M12	NPN break function (NC)	3 port LED red
<b>IFRM 12P13G3/L</b>	cable, 2 m	PNP make function (NO)	LED red
<b>IFRM 12P13G3/S14L</b>	connector M12	PNP make function (NO)	3 port LED red
<b>IFRM 12P33G3/L</b>	cable, 2 m	PNP break function (NC)	LED red
<b>IFRM 12P33G3/S14L</b>	connector M12	PNP break function (NC)	3 port LED red

**sample picture**

