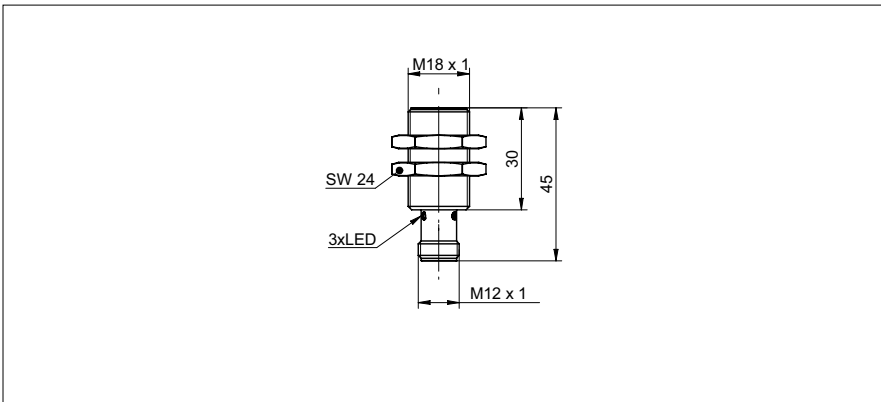


Inductive proximity switch

IFRM 18 (short)

sample drawing



general data

mounting type	quasi-flush
nominal sensing distance S_n	8 mm
hysteresis	3 ... 20 % of S_r
output indicator	LED red

electrical data

switching frequency	< 500 Hz
voltage supply range +Vs	10 ... 30 VDC
current consumption max. (no load)	10 mA
voltage drop Vd	< 2 VDC
output current	< 200 mA
short circuit protection	yes
reverse polarity protection	yes

mechanical data

type	cylindrical threaded
material (sensing face)	PBT
housing material	brass nickel plated
dimension	18 mm
tightening torque max.	40 Nm

cable, 2 m

housing length	35 mm
----------------	-------

connector M12

housing length	45 mm
----------------	-------

ambient conditions

operating temperature	-25 ... +75 °C
protection class	IP 67

sample picture



Inductive proximity switch**IFRM 18 (short)**

order reference	connection types	output circuit
IFRM 18N17A5/L	cable, 2 m	NPN make function (NO)
IFRM 18N17A5/S14L	connector M12	NPN make function (NO)
IFRM 18N37A5/L	cable, 2 m	NPN break function (NC)
IFRM 18N37A5/S14L	connector M12	NPN break function (NC)
IFRM 18P17A5/L	cable, 2 m	PNP make function (NO)
IFRM 18P17A5/S14L	connector M12	PNP make function (NO)
IFRM 18P37A5/L	cable, 2 m	PNP break function (NC)
IFRM 18P37A5/S14L	connector M12	PNP break function (NC)