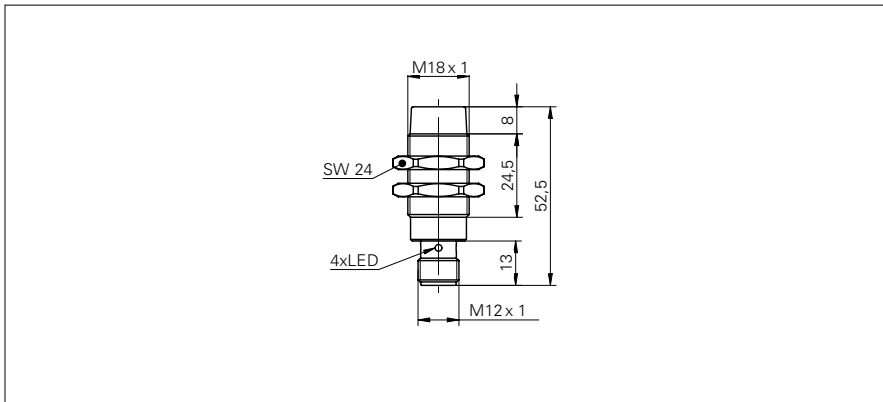


Inductive proximity switch

IFRM 18 (Sn = 12 mm)

sample drawing



general data

mounting type	non-flush
nominal sensing distance Sn	12 mm
hysteresis	3 ... 25 % of Sr

electrical data

switching frequency	< 500 Hz
voltage supply range +Vs	10 ... 30 VDC
current consumption max. (no load)	15 mA
output circuit	PNP make function (NO)
voltage drop Vd	< 3 VDC
output current	< 200 mA
short circuit protection	yes
reverse polarity protection	yes

mechanical data

type	cylindrical threaded
material (sensing face)	PBT
housing material	brass nickel plated
dimension	18 mm

cable, 2 m

housing length	39 mm
----------------	-------

connector M12

housing length	52,5 mm
----------------	---------

ambient conditions

operating temperature	-25 ... +75 °C
protection class	IP 67

order reference	connection types	output indicator
IFRM 18P1301/L	cable, 2 m	LED red
IFRM 18P1301/S14L	connector M12	4 port LED red

sample picture

