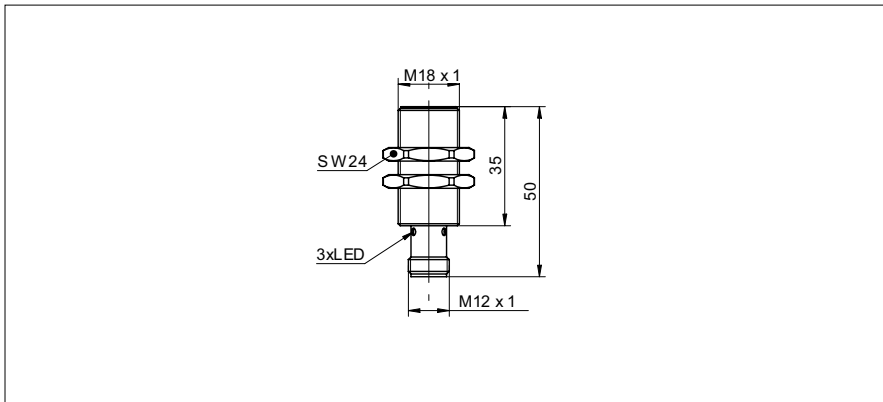


Inductive proximity switch

IFRM 18 (Sn = 12 mm, short)

sample drawing



general data

mounting type	quasi-flush
special type	enhanced distance (GammaProx)
nominal sensing distance Sn	12 mm
hysteresis	2 ... 25 % of Sr

electrical data

switching frequency	< 400 Hz
voltage supply range +Vs	12 ... 30 VDC
current consumption max. (no load)	24 mA
voltage drop Vd	< 2 VDC
output current	< 200 mA
short circuit protection	yes
reverse polarity protection	yes

mechanical data

type	cylindrical threaded
material (sensing face)	PBT
housing material	brass nickel plated
dimension	18 mm

cable, 2 m

housing length	40 mm
----------------	-------

connector M12

housing length	50 mm
----------------	-------

ambient conditions

operating temperature	-25 ... +75 °C
protection class	IP 67

order reference	connection types	output circuit	output indicator
IFRM 18N17G3/L	cable, 2 m	NPN make function (NO)	LED red
IFRM 18N17G3/S14L	connector M12	NPN make function (NO)	3 port LED red
IFRM 18N37G3/L	cable, 2 m	NPN break function (NC)	LED red
IFRM 18N37G3/S14L	connector M12	NPN break function (NC)	3 port LED red
IFRM 18P17G3/L	cable, 2 m	PNP make function (NO)	LED red
IFRM 18P17G3/S14L	connector M12	PNP make function (NO)	3 port LED red
IFRM 18P37G3/L	cable, 2 m	PNP break function (NC)	LED red
IFRM 18P37G3/S14L	connector M12	PNP break function (NC)	3 port LED red

sample picture

