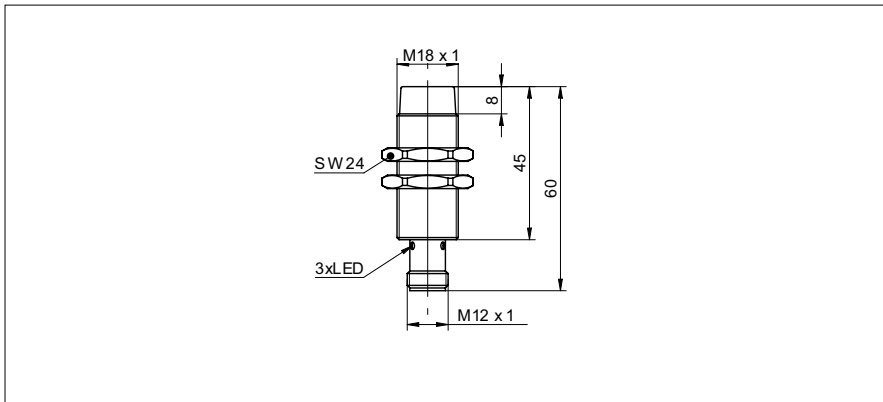


Inductive proximity switch

IFRM 18 (Sn = 20 mm, long)

sample drawing



general data

| | |
|-----------------------------|-------------------------------|
| mounting type | non-flush |
| special type | enhanced distance (GammaProx) |
| nominal sensing distance Sn | 20 mm |
| hysteresis | 2 ... 25 % of Sr |

electrical data

| | |
|------------------------------------|---------------|
| switching frequency | < 400 Hz |
| voltage supply range +Vs | 12 ... 30 VDC |
| current consumption max. (no load) | 24 mA |
| voltage drop Vd | < 2 VDC |
| output current | < 200 mA |
| short circuit protection | yes |
| reverse polarity protection | yes |

mechanical data

| | |
|-------------------------|----------------------|
| type | cylindrical threaded |
| material (sensing face) | PBT |
| housing material | brass nickel plated |
| dimension | 18 mm |

cable, 2 m

| | |
|----------------|-------|
| housing length | 50 mm |
|----------------|-------|

connector M12

| | |
|----------------|-------|
| housing length | 60 mm |
|----------------|-------|

ambient conditions

| | |
|-----------------------|--------------|
| operating temperature | 0 ... +45 °C |
| protection class | IP 67 |

| order reference | connection types | output circuit | output indicator |
|--------------------------|------------------|-------------------------|------------------|
| IFRM 18N13G1/L | cable, 2 m | NPN make function (NO) | LED red |
| IFRM 18N13G1/S14L | connector M12 | NPN make function (NO) | 3 port LED red |
| IFRM 18N33G1/L | cable, 2 m | NPN break function (NC) | LED red |
| IFRM 18N33G1/S14L | connector M12 | NPN break function (NC) | 3 port LED red |
| IFRM 18P13G1/L | cable, 2 m | PNP make function (NO) | LED red |
| IFRM 18P13G1/S14L | connector M12 | PNP make function (NO) | 3 port LED red |
| IFRM 18P33G1/L | cable, 2 m | PNP break function (NC) | LED red |
| IFRM 18P33G1/S14L | connector M12 | PNP break function (NC) | 3 port LED red |

sample picture

