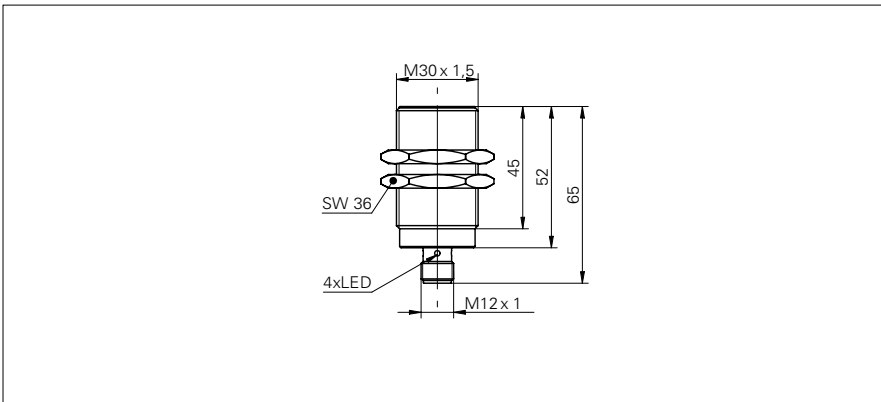


Inductive proximity switch

IFRM 30 (Sn = 10 mm)

sample drawing



general data

mounting type	flush
nominal sensing distance Sn	10 mm
hysteresis	3 ... 20 % of Sr

electrical data

switching frequency	< 500 Hz
voltage supply range +Vs	10 ... 50 VDC
current consumption max. (no load)	10 mA
voltage drop Vd	< 3 VDC
output current	< 200 mA
short circuit protection	yes
reverse polarity protection	yes

mechanical data

type	cylindrical threaded
material (sensing face)	PBT
housing material	brass nickel plated
dimension	30 mm

cable, 2 m

housing length	60 mm
----------------	-------

connector M12

housing length	65 mm
----------------	-------

ambient conditions

operating temperature	-25 ... +75 °C
protection class	IP 67

order reference	connection types	output circuit	output indicator
IFRM 30P1501/S14L	connector M12	PNP make function (NO)	4 port LED red
IFRM 30P1601/L	cable, 2 m	PNP make function (NO)	LED red
IFRM 30P3501/S14L	connector M12	PNP break function (NC)	4 port LED red
IFRM 30P3601/L	cable, 2 m	PNP break function (NC)	LED red

sample picture

