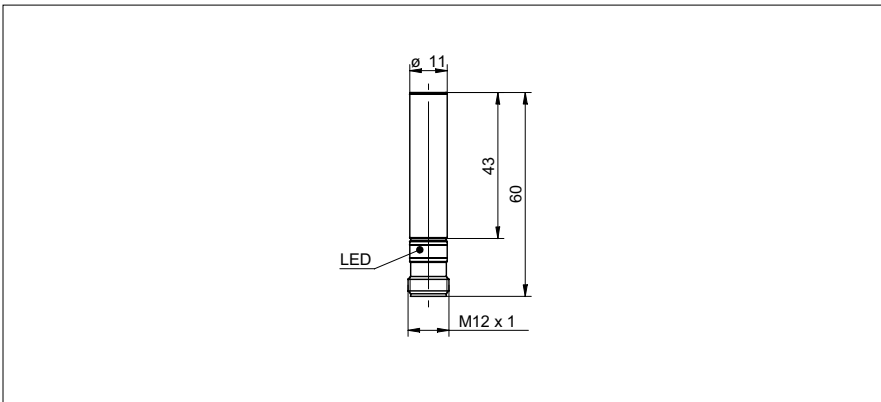


Inductive proximity switch

IFBR 11 (Sn = 4 mm)

sample drawing



general data

mounting type	flush
special type	hygienic design
nominal sensing distance Sn	4 mm
hysteresis	2 ... 15 % of Sr
output indicator	LED red
approvals/certificates	Ecolab EHEDG REGULATION (EC) 1935/2004 REGULATION (EC) 2023/2006 REGULATION (EU) 1282/2011 FDA 21 CFR § 175.300 FDA 21 CFR § 177.2600 FCN 742

sample picture



electrical data

switching frequency	< 1 kHz
voltage supply range +Vs	10 ... 30 VDC
current consumption max. (no load)	10 mA
voltage drop Vd	< 2 VDC
output current	< 200 mA
output current (at cleaning temperature)	< 100 mA
short circuit protection	yes
reverse polarity protection	yes

mechanical data

type	cylindrical smooth
material (sensing face)	LCP
housing material	stainless steel 1.4404 (V4A); LSR
dimension	11 mm

cable PVC, 2 m

housing length	54 mm
----------------	-------

connector M12

housing length	60 mm
----------------	-------

ambient conditions

operating temperature	-40 ... +80 °C
cleaning temperature	80 ... +100 °C (30 min/day)
protection class	IP 68/69K & proTect+

Inductive proximity switch**IFBR 11 (Sn = 4 mm)**

order reference	connection types	output circuit
IFBR 11N17T1/L-9	cable PVC, 2 m	NPN make function (NO)
IFBR 11N17T1/S14L-9	connector M12	NPN make function (NO)
IFBR 11N37T1/L-9	cable PVC, 2 m	NPN break function (NC)
IFBR 11N37T1/S14L-9	connector M12	NPN break function (NC)
IFBR 11P17T1/L-9	cable PVC, 2 m	PNP make function (NO)
IFBR 11P17T1/S14L-9	connector M12	PNP make function (NO)
IFBR 11P37T1/L-9	cable PVC, 2 m	PNP break function (NC)
IFBR 11P37T1/S14L-9	connector M12	PNP break function (NC)