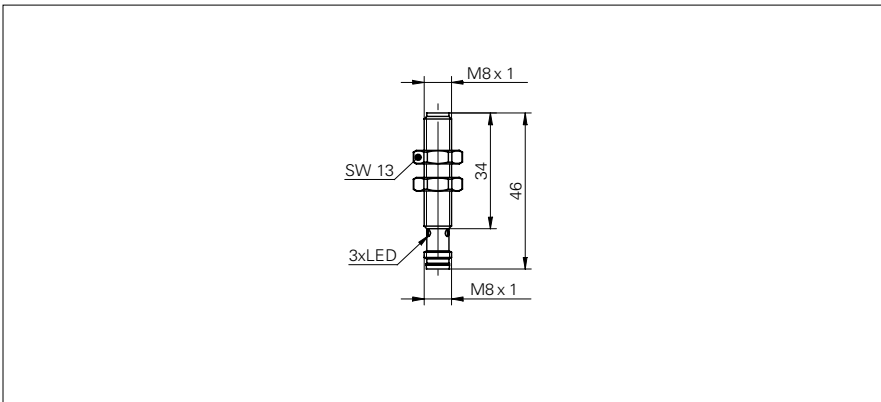


Inductive sensors special versions

IFRD 08

sample drawing



general data

mounting type	quasi-flush
nominal sensing distance S_n	2 mm
hysteresis	2 ... 20 % of S_r

electrical data

switching frequency	< 150 Hz
voltage supply range +Vs	10 ... 30 VDC
current consumption max. (no load)	20 mA
voltage drop Vd	< 2 VDC
short circuit protection	yes
reverse polarity protection	yes

mechanical data

type	cylindrical threaded
material (sensing face)	stainless steel 1.4404 (V4A)
housing material	stainless steel 1.4404 (V4A)
pressure static	< 20 bar
dimension	8 mm
housing length	46 mm
connection types	connector M8

sample picture



Inductive sensors special versions
IFRD 08

order reference	special type	output circuit	operating temperature	protection class	output current	output indicator
IFRD 08N17A1/S35L	full metal housing (DuroProx)	NPN make function (NO)	-25 ... +75 °C	IP 68/67 (sensing face/sensor)	< 200 mA	3 port LED red
IFRD 08N17T1/S35	full metal housing (DuroProx) high temperature	NPN make function (NO)	-25 ... +100 °C	IP 69K	< 100 mA	-
IFRD 08N37A1/S35L	full metal housing (DuroProx)	NPN break function (NC)	-25 ... +75 °C	IP 68/67 (sensing face/sensor)	< 200 mA	3 port LED red
IFRD 08N37T1/S35	full metal housing (DuroProx) high temperature	NPN break function (NC)	-25 ... +100 °C	IP 69K	< 100 mA	-
IFRD 08P17A1/S35L	full metal housing (DuroProx)	PNP make function (NO)	-25 ... +75 °C	IP 68/67 (sensing face/sensor)	< 200 mA	3 port LED red
IFRD 08P17T1/S35	full metal housing (DuroProx) high temperature	PNP make function (NO)	-25 ... +100 °C	IP 69K	< 100 mA	-
IFRD 08P37A1/S35L	full metal housing (DuroProx)	PNP break function (NC)	-25 ... +75 °C	IP 68/67 (sensing face/sensor)	< 200 mA	3 port LED red
IFRD 08P37T1/S35	full metal housing (DuroProx) high temperature	PNP break function (NC)	-25 ... +100 °C	IP 69K	< 100 mA	-