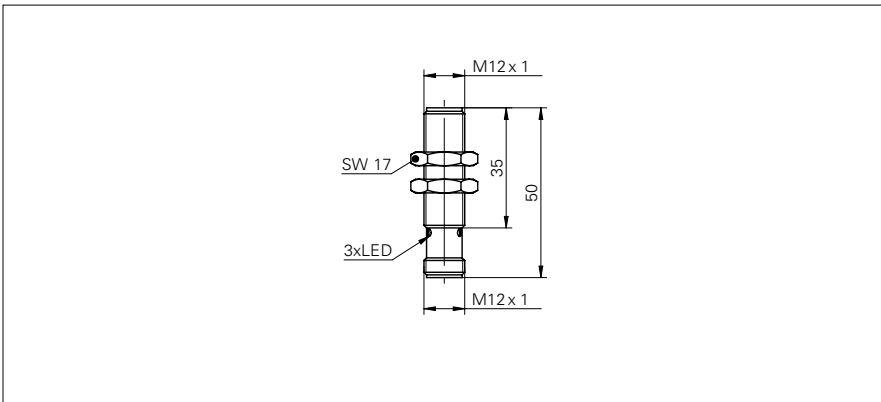


**Inductive sensors special versions**

**IFRD 12**

**sample drawing**



**general data**

mounting type	quasi-flush
nominal sensing distance $S_n$	4 mm
hysteresis	2 ... 20 % of $S_r$

**electrical data**

switching frequency	< 100 Hz
voltage supply range +Vs	10 ... 30 VDC
current consumption max. (no load)	14 mA
voltage drop Vd	< 2 VDC
short circuit protection	yes
reverse polarity protection	yes

**mechanical data**

type	cylindrical threaded
material (sensing face)	stainless steel 1.4404 (V4A)
housing material	stainless steel 1.4404 (V4A)
pressure static	< 20 bar
dimension	12 mm
housing length	50 mm
connection types	connector M12

**sample picture**



**Inductive sensors special versions**
**IFRD 12**

order reference	special type	output circuit	operating temperature	protection class	output current	output indicator
<b>IFRD 12N17A3/S14L</b>	full metal housing (DuroProx)	NPN make function (NO)	-25 ... +75 °C	IP 68/67 (sensing face/sensor)	< 200 mA	3 port LED red
<b>IFRD 12N17T3/S14</b>	full metal housing (DuroProx) high temperature	NPN make function (NO)	-25 ... +100 °C	IP 69K	< 100 mA	-
<b>IFRD 12N37A3/S14L</b>	full metal housing (DuroProx)	NPN break function (NC)	-25 ... +75 °C	IP 68/67 (sensing face/sensor)	< 200 mA	3 port LED red
<b>IFRD 12N37T3/S14</b>	full metal housing (DuroProx) high temperature	NPN break function (NC)	-25 ... +100 °C	IP 69K	< 100 mA	-
<b>IFRD 12P17A3/S14L</b>	full metal housing (DuroProx)	PNP make function (NO)	-25 ... +75 °C	IP 68/67 (sensing face/sensor)	< 200 mA	3 port LED red
<b>IFRD 12P17T3/S14</b>	full metal housing (DuroProx) high temperature	PNP make function (NO)	-25 ... +100 °C	IP 69K	< 100 mA	-
<b>IFRD 12P37A3/S14L</b>	full metal housing (DuroProx)	PNP break function (NC)	-25 ... +75 °C	IP 68/67 (sensing face/sensor)	< 200 mA	3 port LED red
<b>IFRD 12P37T3/S14</b>	full metal housing (DuroProx) high temperature	PNP break function (NC)	-25 ... +100 °C	IP 69K	< 100 mA	-