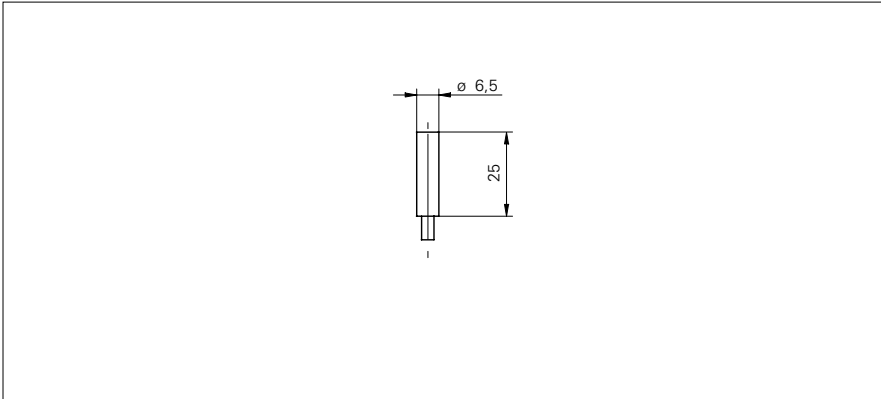


## Inductive sensors NAMUR

## IFRM 06X

### sample drawing



### general data

mounting type	flush
nominal sensing distance $S_n$	1,5 mm
approvals/certificates	ATEX 1G

### electrical data

switching frequency	< 5 kHz
normal operating voltage	8,2 VDC
voltage supply range +Vs	5 ... 30 VDC
current consumption undamped	> 4 mA
current consumption damped	< 1 mA
current consumption max. (no load)	10 mA
output circuit	NAMUR
residual ripple	< 10 % Vs

### mechanical data

type	cylindrical smooth
housing material	brass nickel plated
dimension	6,5 mm
housing length	25 mm

### ambient conditions

operating temperature	-25 ... +75 °C
protection class	IP 67

### safe maximum values

EC-type-examination Certificate	PTB 03 ATEX 2146
marking	II 1G Ex ia IIC T6 Ga
current $I_i$	< 37 mA
voltage $U_i$	< 13,5 VDC
power $P_i$	< 0,125 W
internal capacitance $C_i$	< 50 nF
internal inductance $L_i$	< 0,2 mH
operating temperature $T_a$ (temp. class T5)	-20 ... +60 °C
operating temperature $T_a$ (temp. class T6)	-20 ... +40 °C

### sample picture



**Inductive sensors NAMUR****IFRM 06X**

<b>order reference</b>	<b>connection types</b>
<b>IFRM 06X9503</b>	cable, 2 m
<b>IFRM 06X9503/P</b>	cable PUR 5 x 0,14, 2 m