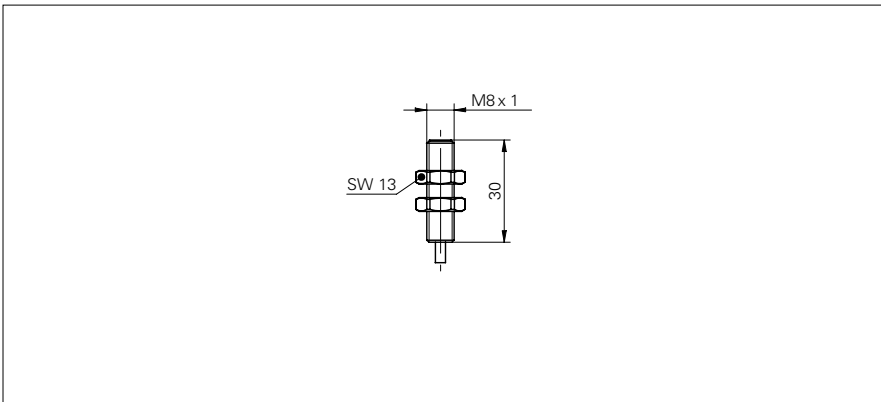


Inductive sensors special versions

IFRM 08 / IFRM 12

sample drawing



general data

mounting type	flush
special type	high temperature
hysteresis	3 ... 20 % of Sr

electrical data

voltage supply range +Vs	12 ... 30 VDC
current consumption max. (no load)	12 mA
voltage drop Vd	< 3 VDC
output current	< 100 mA
short circuit protection	yes
reverse polarity protection	yes

mechanical data

type	cylindrical threaded
connection types	cable FEP, 1 m

ambient conditions

operating temperature	-25 ... +100 °C
protection class	IP 67

sample picture



order reference	nominal sensing distance Sn	switching frequency	output circuit	dimension	housing material	housing length	temperature drift
IFRM 08N1707	2 mm	< 5 kHz	NPN make function (NO)	8 mm	stainless steel	30 mm	± 10 % (-25 ... +75 °C) - 10 % / + 15 % (-25 ... +100 °C)
IFRM 08P1707	2 mm	< 5 kHz	PNP make function (NO)	8 mm	stainless steel	30 mm	± 10 % (-25 ... +75 °C) - 10 % / + 15 % (-25 ... +100 °C)
IFRM 08P3707	2 mm	< 5 kHz	PNP break function (NC)	8 mm	stainless steel	30 mm	± 10 % (-25 ... +75 °C) - 10 % / + 15 % (-25 ... +100 °C)
IFRM 12N1707	4 mm	< 2 kHz	NPN make function (NO)	12 mm	brass nickel plated	40 mm	-
IFRM 12P1707	4 mm	< 2 kHz	PNP make function (NO)	12 mm	brass nickel plated	40 mm	-