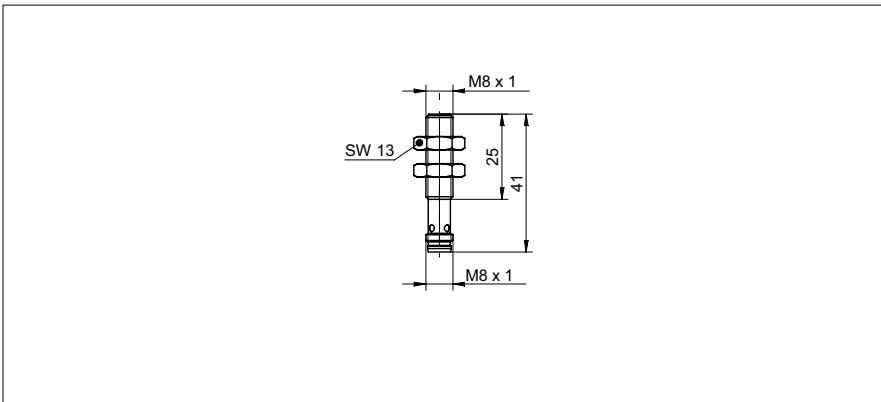


Inductive sensors NAMUR

IFRM 08X

sample drawing



general data

approvals/certificates ATEX 1G

electrical data

switching frequency < 5 kHz
 normal operating voltage 8,2 VDC
 voltage supply range +Vs 5 ... 30 VDC
 current consumption undamped > 4 mA
 current consumption damped < 1 mA
 current consumption max. (no load) 10 mA
 output circuit NAMUR
 residual ripple < 10 % Vs

mechanical data

type cylindrical threaded
 dimension 8 mm

ambient conditions

operating temperature -25 ... +75 °C
 protection class IP 67

safe maximum values

EC-type-examination Certificate PTB 03 ATEX 2146
 marking II 1G Ex ia IIC T6 Ga
 current Ii < 37 mA
 voltage Ui < 13,5 VDC
 power Pi < 0,125 W
 internal capacitance Ci < 50 nF
 internal inductance Li < 0,2 mH
 operating temperature Ta (temp. class T5) -20 ... +60 °C
 operating temperature Ta (temp. class T6) -20 ... +40 °C

sample picture



order reference	nominal sensing distance Sn	mounting type	housing material	housing length	connection types
IFRM 08X9103	2 mm	non-flush	brass nickel plated	27 mm	cable, 2 m
IFRM 08X9501/S35	1,5 mm	flush	stainless steel	50 mm	connector M8
IFRM 08X9503	1,5 mm	flush	brass nickel plated	25 mm	cable, 2 m
IFRM 08X9503/S35	1,5 mm	flush	stainless steel	41 mm	connector M8