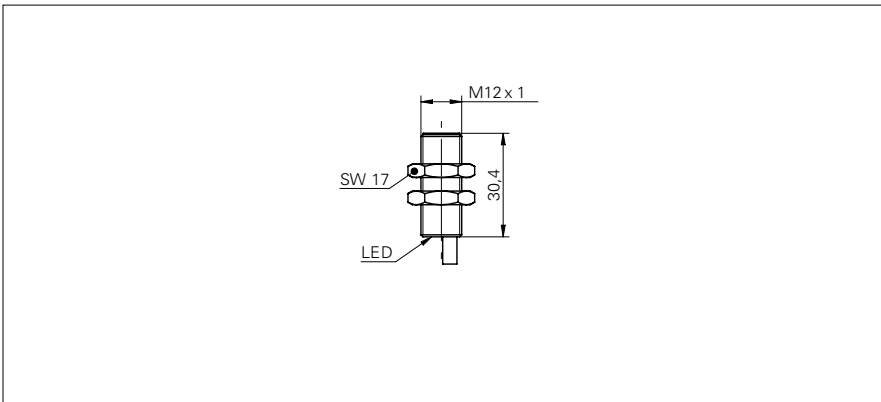


Inductive proximity switch

IFRM 12 (short, ATEX)

sample drawing



general data

mounting type	flush
nominal sensing distance S_n	4 mm
hysteresis	3 ... 20 % of S_r
output indicator	LED red
approvals/certificates	ATEX 3D

electrical data

switching frequency	< 2 kHz
voltage supply range +Vs	10 ... 30 VDC
current consumption max. (no load)	10 mA
voltage drop Vd	< 2 VDC
output current	< 200 mA
short circuit protection	yes
reverse polarity protection	yes

mechanical data

type	cylindrical threaded
material (sensing face)	PBT
housing material	brass nickel plated
dimension	12 mm
housing length	30,4 mm
connection types	cable, 2 m

ambient conditions

protection class	IP 67
------------------	-------

safe maximum values

marking	II 3D Ex tc IIIC T100°C Dc X
operating temperature T_a	-25 ... +65 °C

order reference

- IFRM 12N17X1/L**
- IFRM 12N37X1/L**
- IFRM 12P17X1/L**
- IFRM 12P37X1/L**

output circuit

- NPN make function (NO)
- NPN break function (NC)
- PNP make function (NO)
- PNP break function (NC)

sample picture

