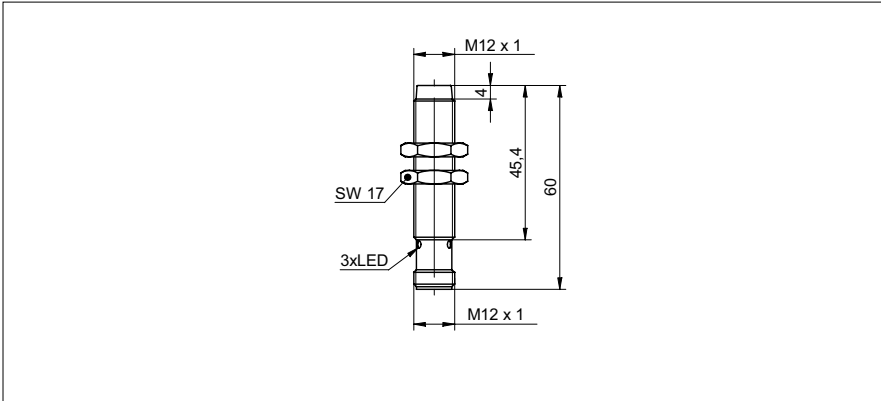


**Inductive proximity switch**

**IFRM 12 (Sn = 6 mm, Outdoor)**

**sample drawing**



**general data**

mounting type	non-flush
special type	Outdoor design
nominal sensing distance Sn	6 mm
hysteresis	2 ... 15 % of Sr
output indicator	LED red

**electrical data**

switching frequency	< 2 kHz
voltage supply range +Vs	10 ... 30 VDC
current consumption max. (no load)	10 mA
voltage drop Vd	< 2 VDC
output current	< 200 mA
short circuit protection	yes
reverse polarity protection	yes

**mechanical data**

type	cylindrical threaded
material (sensing face)	PBT
housing material	brass nickel plated
dimension	12 mm

**cable PUR 3 x 0,25, 2 m**

housing length	50 mm
----------------	-------

**connector M12**

housing length	60 mm
----------------	-------

**ambient conditions**

operating temperature	-40 ... +80 °C
protection class	IP 67

**sample picture**



**Inductive proximity switch****IFRM 12 (Sn = 6 mm, Outdoor)**

<b>order reference</b>	<b>connection types</b>	<b>output circuit</b>
<b>IFRM 12N13T1/PL</b>	cable PUR 3 x 0,25, 2 m	NPN make function (NO)
<b>IFRM 12N13T1/S14L</b>	connector M12	NPN make function (NO)
<b>IFRM 12N33T1/PL</b>	cable PUR 3 x 0,25, 2 m	NPN break function (NC)
<b>IFRM 12N33T1/S14L</b>	connector M12	NPN break function (NC)
<b>IFRM 12P13T1/PL</b>	cable PUR 3 x 0,25, 2 m	PNP make function (NO)
<b>IFRM 12P13T1/S14L</b>	connector M12	PNP make function (NO)
<b>IFRM 12P33T1/PL</b>	cable PUR 3 x 0,25, 2 m	PNP break function (NC)
<b>IFRM 12P33T1/S14L</b>	connector M12	PNP break function (NC)