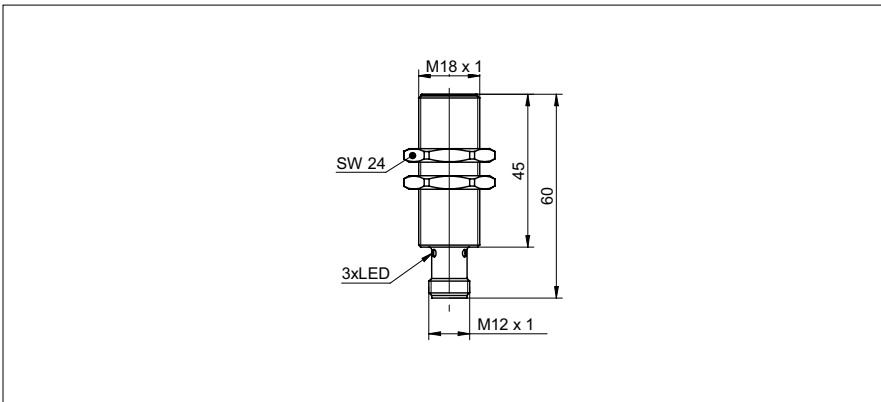


Inductive proximity switch

IFRM 18 (Sn = 10 mm, Outdoor)

sample drawing



general data

mounting type	flush
special type	Outdoor design
nominal sensing distance Sn	10 mm
hysteresis	2 ... 15 % of Sr
output indicator	LED red

electrical data

switching frequency	< 400 Hz
voltage supply range +Vs	12 ... 30 VDC
current consumption max. (no load)	24 mA
voltage drop Vd	< 2 VDC
output current	< 200 mA
short circuit protection	yes
reverse polarity protection	yes

mechanical data

type	cylindrical threaded
material (sensing face)	PBT
housing material	brass nickel plated
dimension	18 mm

cable PUR 3 x 0,25, 2 m

housing length	50 mm
----------------	-------

connector M12

housing length	60 mm
----------------	-------

ambient conditions

operating temperature	-40 ... +80 °C
protection class	IP 67

sample picture



Inductive proximity switch**IFRM 18 (Sn = 10 mm, Outdoor)**

order reference	connection types	output circuit
IFRM 18N17M1/PL	cable PUR 3 x 0,25, 2 m	NPN make function (NO)
IFRM 18N17M1/S14L	connector M12	NPN make function (NO)
IFRM 18N37M1/PL	cable PUR 3 x 0,25, 2 m	NPN break function (NC)
IFRM 18N37M1/S14L	connector M12	NPN break function (NC)
IFRM 18P17M1/PL	cable PUR 3 x 0,25, 2 m	PNP make function (NO)
IFRM 18P17M1/S14L	connector M12	PNP make function (NO)
IFRM 18P37M1/PL	cable PUR 3 x 0,25, 2 m	PNP break function (NC)
IFRM 18P37M1/S14L	connector M12	PNP break function (NC)