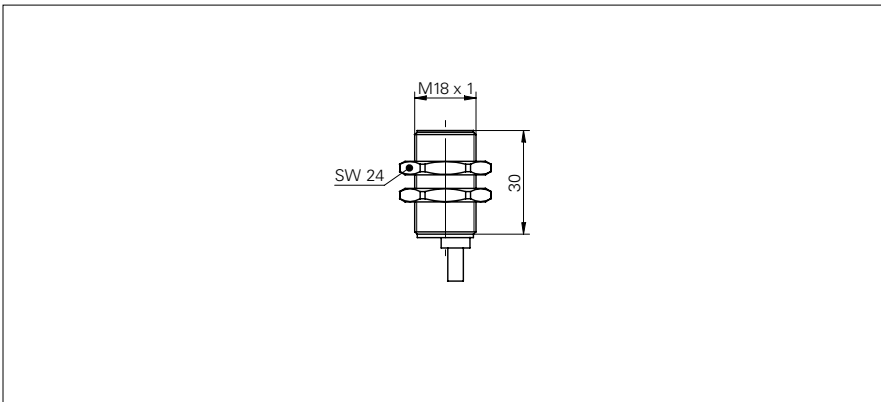


Inductive sensors NAMUR

IFRM 18X

sample drawing



general data

approvals/certificates ATEX 1G

electrical data

switching frequency < 1 kHz
 normal operating voltage 8,2 VDC
 voltage supply range +Vs 5 ... 30 VDC
 current consumption undamped > 4 mA
 current consumption damped < 1 mA
 current consumption max. (no load) 10 mA
 output circuit NAMUR
 residual ripple < 10 % Vs

mechanical data

type cylindrical threaded
 housing material brass nickel plated
 dimension 18 mm
 connection types cable, 2 m

ambient conditions

operating temperature -25 ... +75 °C
 protection class IP 67

safe maximum values

EC-type-examination Certificate PTB 03 ATEX 2146
 marking II 1G Ex ia IIC T6 Ga
 current Ii < 37 mA
 voltage Ui < 13,5 VDC
 power Pi < 0,125 W
 internal capacitance Ci < 50 nF
 internal inductance Li < 0,2 mH
 operating temperature Ta (temp. class T5) -20 ... +60 °C
 operating temperature Ta (temp. class T6) -20 ... +40 °C

sample picture



order reference	nominal sensing distance Sn	mounting type	housing length
IFRM 18X9103	8 mm	non-flush	38 mm
IFRM 18X9503	5 mm	flush	30 mm