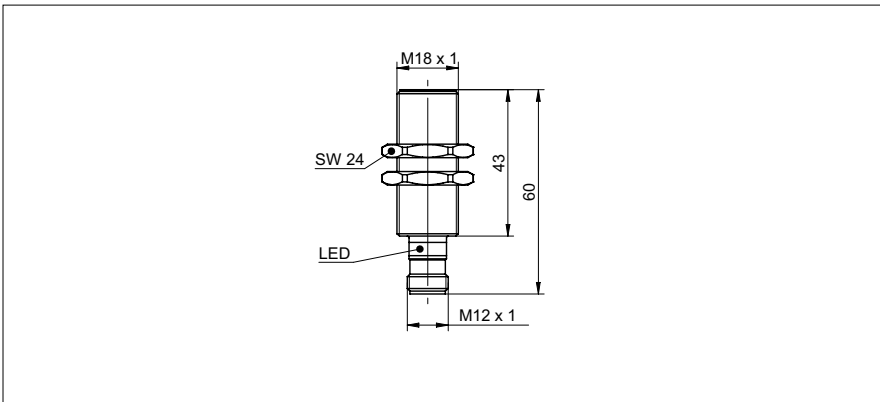


Inductive proximity switch

IFRR 18 (Sn = 8 mm)

sample drawing



general data

mounting type	quasi-flush
nominal sensing distance Sn	8 mm
hysteresis	2 ... 15 % of Sr
output indicator	LED red
approvals/certificates	Ecolab

electrical data

switching frequency	< 500 Hz
voltage supply range +Vs	10 ... 30 VDC
current consumption max. (no load)	10 mA
voltage drop Vd	< 2 VDC
output current	< 200 mA
output current (at cleaning temperature)	< 100 mA
short circuit protection	yes
reverse polarity protection	yes

mechanical data

type	cylindrical threaded
material (sensing face)	LCP
housing material	stainless steel 1.4404 (V4A); LSR
dimension	18 mm

cable PVC, 2 m

housing length	55 mm
----------------	-------

connector M12

housing length	60 mm
----------------	-------

ambient conditions

operating temperature	-40 ... +80 °C
cleaning temperature	80 ... +100 °C (30 min/day)
protection class	IP 68/69K & proTect+
vibration resistance	EN 61373: 2010 (category 3), 5h per axis (14.4 gRMS, 10-500 Hz, EN 60068-2-64)
shock resistance	EN 61373: 2010 (category 3), 10 bumps per axis (100 g, 6 ms, EN 60068-2-27)

sample picture



Inductive proximity switch
IFRR 18 (Sn = 8 mm)

order reference	special type	connection types	output circuit
IFRR 18N17T1/L-9	Washdown design	cable PVC, 2 m	NPN make function (NO)
IFRR 18N17T1/S14L-9	Outdoor design Washdown design	connector M12	NPN make function (NO)
IFRR 18N37T1/L-9	Washdown design	cable PVC, 2 m	NPN break function (NC)
IFRR 18N37T1/S14L-9	Outdoor design Washdown design	connector M12	NPN break function (NC)
IFRR 18P17T1/L-9	Washdown design	cable PVC, 2 m	PNP make function (NO)
IFRR 18P17T1/S14L-9	Outdoor design Washdown design	connector M12	PNP make function (NO)
IFRR 18P37T1/L-9	Washdown design	cable PVC, 2 m	PNP break function (NC)
IFRR 18P37T1/S14L-9	Outdoor design Washdown design	connector M12	PNP break function (NC)