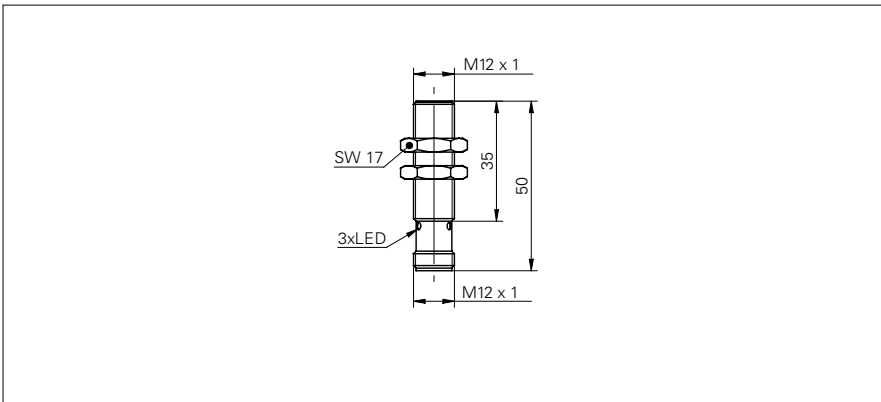


Inductive sensors special versions

IFRW 12 / IFRW 18

sample drawing



general data

mounting type	flush
special type	welding and magnetic noise
hysteresis	3 ... 20 % of Sr

electrical data

voltage supply range +Vs	10 ... 30 VDC
current consumption max. (no load)	10 mA
output circuit	PNP make function (NO)
voltage drop Vd	< 1 VDC
output current	< 250 mA
short circuit protection	yes
reverse polarity protection	yes

mechanical data

type	cylindrical threaded
material (sensing face)	PTFE coated
housing material	brass chromium plated
connection types	connector M12

ambient conditions

operating temperature	-25 ... +75 °C
protection class	IP 67

sample picture



order reference	nominal sensing distance Sn	switching frequency	dimension	housing length	output indicator
IFRW 12P1501/S14L	2 mm	< 1 kHz	12 mm	50 mm	3 port LED red
IFRW 18P1501/S14L	5 mm	< 500 Hz	18 mm	60 mm	4 port LED red