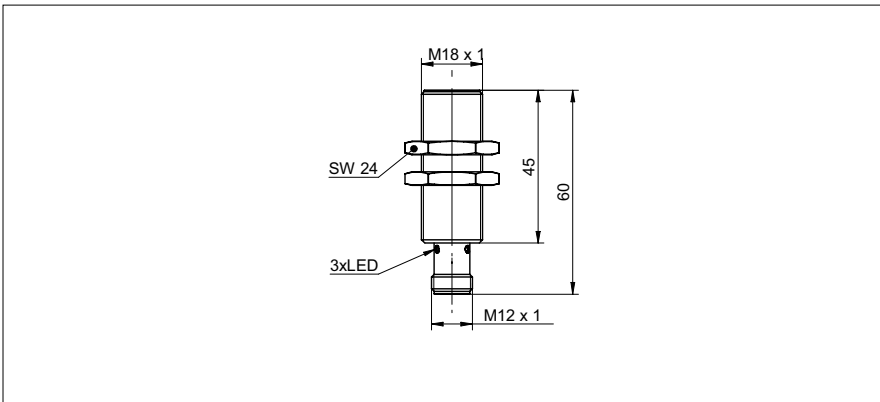


Inductive proximity switch

IR18.P06F (medium, factor 1)

sample drawing



general data

mounting type	flush
special type	factor 1
nominal sensing distance S_n	6 mm
hysteresis	3 ... 20 % of S_r

electrical data

switching frequency	< 500 Hz
voltage supply range +Vs	5 ... 36 VDC
current consumption max. (no load)	12 mA
voltage drop V_d	< 2 VDC
output current	< 200 mA
short circuit protection	yes
reverse polarity protection	yes

mechanical data

type	cylindrical threaded
material (sensing face)	PBT
housing material	brass nickel plated
dimension	18 mm
tightening torque max.	40 Nm

cable, 2 m

housing length	50 mm
----------------	-------

connector M12

housing length	60 mm
----------------	-------

ambient conditions

operating temperature	-25 ... +75 °C
storage temperature	-40 ... +85 °C
protection class	IP 67

sample picture



Inductive proximity switch**IR18.P06F (medium, factor 1)**

order reference	connection types	output circuit	output indicator
IR18.P06F-11119473	cable, 2 m	NPN break function (NC)	LED red
IR18.P06F-11119459	cable, 2 m	NPN make function (NO)	LED red
IR18.P06F-11119472	cable, 2 m	PNP break function (NC)	LED red
IR18.P06F-11119458	cable, 2 m	PNP make function (NO)	LED red
IR18.P06F-11119457	connector M12	NPN break function (NC)	3 port LED red
IR18.P06F-11117735	connector M12	NPN make function (NO)	3 port LED red
IR18.P06F-11119456	connector M12	PNP break function (NC)	3 port LED red
IR18.P06F-11117733	connector M12	PNP make function (NO)	3 port LED red