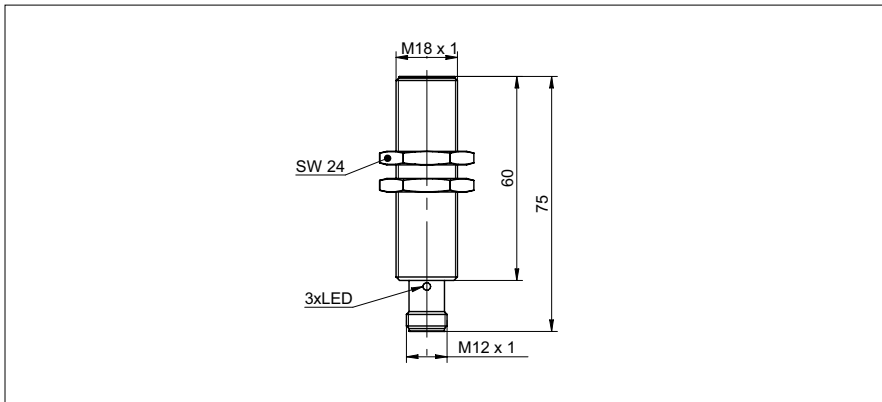


# Inductive proximity switch

# IFRM 18N37A4/S14L

**dimension drawing**



**general data**

|                                |                     |
|--------------------------------|---------------------|
| mounting type                  | quasi-flush         |
| nominal sensing distance $S_n$ | 8 mm                |
| hysteresis                     | 3 ... 20 % of $S_r$ |
| output indicator               | 3 port LED red      |

**electrical data**

|                                    |                         |
|------------------------------------|-------------------------|
| switching frequency                | < 500 Hz                |
| voltage supply range +Vs           | 10 ... 30 VDC           |
| current consumption max. (no load) | 10 mA                   |
| output circuit                     | NPN break function (NC) |
| voltage drop $V_d$                 | < 2 VDC                 |
| output current                     | < 200 mA                |
| short circuit protection           | yes                     |
| reverse polarity protection        | yes                     |

**mechanical data**

|                         |                      |
|-------------------------|----------------------|
| type                    | cylindrical threaded |
| material (sensing face) | PBT                  |
| housing material        | brass nickel plated  |
| dimension               | 18 mm                |
| housing length          | 75 mm                |
| connection types        | connector M12        |
| tightening torque max.  | 40 Nm                |

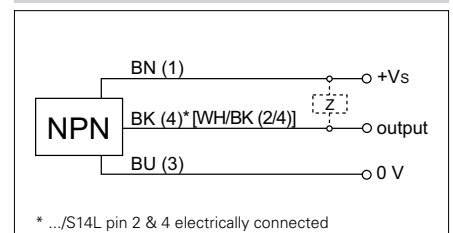
**ambient conditions**

|                       |                |
|-----------------------|----------------|
| operating temperature | -25 ... +75 °C |
| protection class      | IP 67          |

**photo**



**connection diagram**



• Not for flush mounting in mild steel