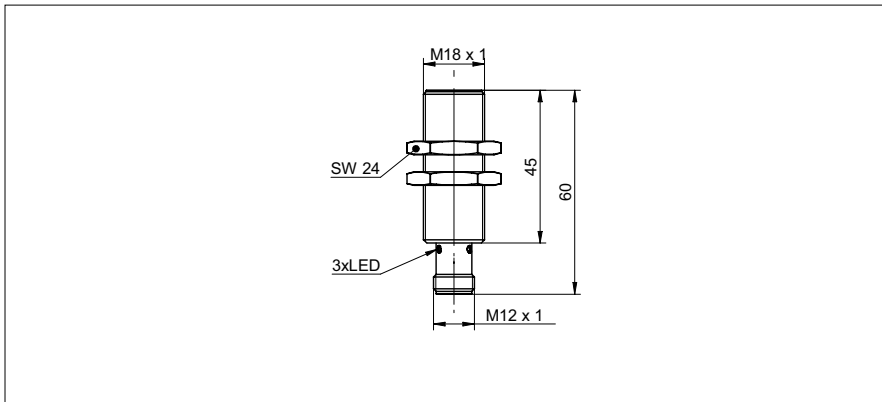


# Inductive proximity switch

**IR18.P08F-11119474**

**dimension drawing**



**general data**

mounting type	quasi-flush
special type	factor 1
nominal sensing distance $S_n$	8 mm
hysteresis	3 ... 20 % of $S_r$
output indicator	3 port LED red

**electrical data**

switching frequency	< 500 Hz
voltage supply range +Vs	5 ... 36 VDC
current consumption max. (no load)	12 mA
output circuit	PNP break function (NC)
voltage drop Vd	< 2 VDC
output current	< 200 mA
short circuit protection	yes
reverse polarity protection	yes

**mechanical data**

type	cylindrical threaded
material (sensing face)	PBT
housing material	brass nickel plated
dimension	18 mm
housing length	60 mm
connection types	connector M12
tightening torque max.	40 Nm

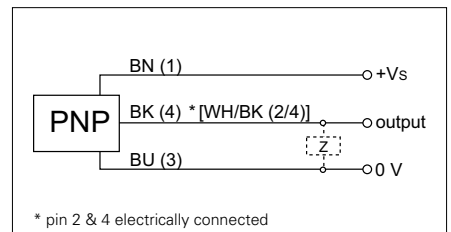
**ambient conditions**

operating temperature	-25 ... +75 °C
storage temperature	-40 ... +85 °C
protection class	IP 67

**photo**



**connection diagram**



- Not for flush mounting in metals
- same sensing distance on all metals (no reduction factor)