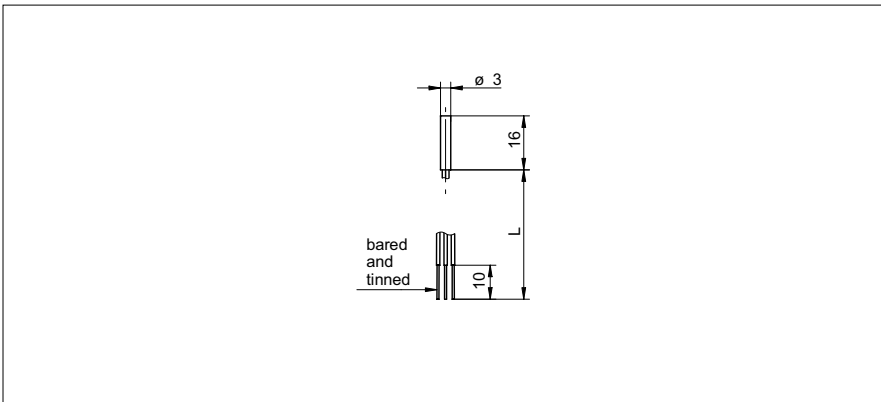


**Inductive proximity switch**

**IFRM 03N3503/Q**

**dimension drawing**



**general data**

mounting type	flush
nominal sensing distance $S_n$	0,8 mm
hysteresis	2 ... 20 % of $S_r$

**electrical data**

switching frequency	< 3 kHz
voltage supply range +Vs	10 ... 30 VDC
current consumption max. (no load)	12 mA
output circuit	NPN break function (NC)
voltage drop $V_d$	< 2 VDC
output current	< 100 mA
short circuit protection	yes
reverse polarity protection	yes

**mechanical data**

type	cylindrical smooth
material (sensing face)	POM
housing material	stainless steel
dimension	3 mm
housing length	16 mm
connection types	wires, 0,5 m

**ambient conditions**

operating temperature	-25 ... +75 °C
protection class	IP 67

**photo**



**connection diagram**



- fully contained, 3 individual strands
- cable version: 22 mm housing length
- individual strands: 16 mm housing length