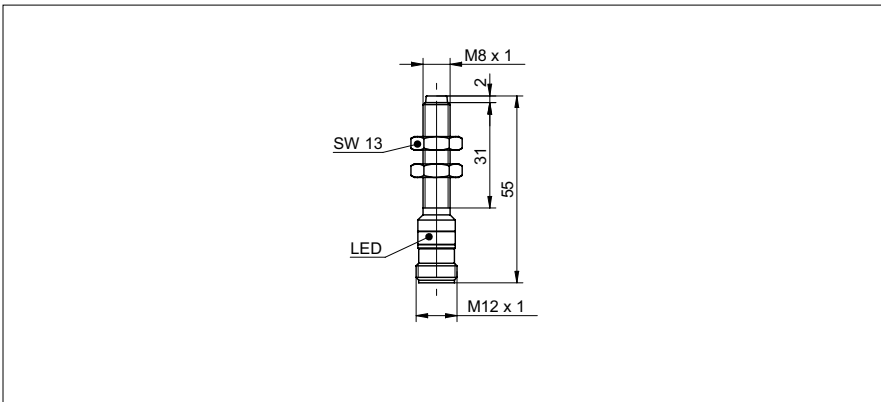


Inductive proximity switch

IFRR 08P33T1/S14L-9

dimension drawing



general data

| | |
|--------------------------------|-----------------------------------|
| mounting type | non-flush |
| special type | Outdoor design Washdown design |
| nominal sensing distance S_n | 3 mm |
| hysteresis | 2 ... 15 % of S_r |
| output indicator | LED red |
| approvals/certificates | Ecolab |

electrical data

| | |
|--|-------------------------|
| switching frequency | < 3 kHz |
| voltage supply range +Vs | 10 ... 30 VDC |
| current consumption max. (no load) | 10 mA |
| output circuit | PNP break function (NC) |
| voltage drop Vd | < 2 VDC |
| output current | < 200 mA |
| output current (at cleaning temperature) | < 100 mA |
| short circuit protection | yes |
| reverse polarity protection | yes |

mechanical data

| | |
|-------------------------|-----------------------------------|
| type | cylindrical threaded |
| material (sensing face) | LCP |
| housing material | stainless steel 1.4404 (V4A); LSR |
| dimension | 8 mm |
| housing length | 55 mm |
| connection types | connector M12 |

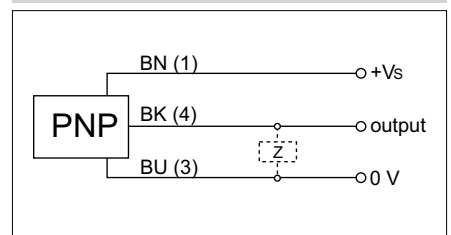
ambient conditions

| | |
|-----------------------|---|
| operating temperature | -40 ... +80 °C |
| cleaning temperature | 80 ... +100 °C (30 min/day) |
| protection class | IP 68/69K & proTect+ |
| vibration resistance | EN 61373: 2010 (category 3), 5h per axis (14.4 gRMS, 10-500 Hz, EN 60068-2-64) |
| shock resistance | EN 61373: 2010 (category 3), 10 bumps per axis (100 g, 6 ms, EN 60068-2-27) |

photo



connection diagram



- Sensor FDA compliant and Ecolab approved
- LSR = Liquid Silicon Rubber