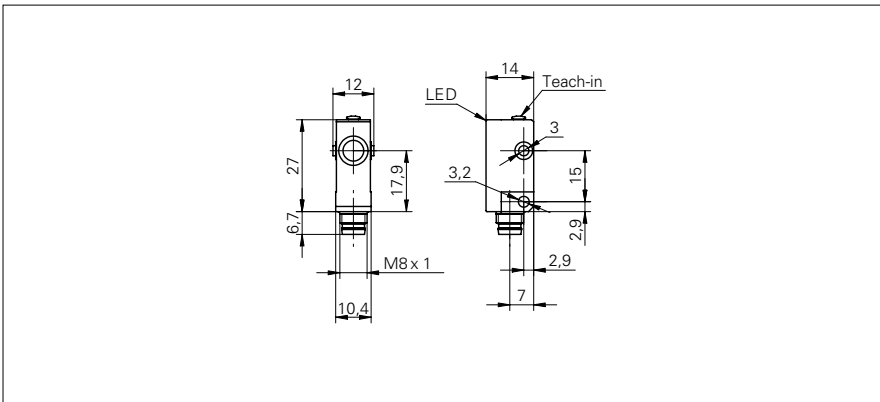


**Ultrasonic retro-reflective sensors**

**URDK 10 (Sde = 200 mm)**

**sample drawing**



**general data**

scanning range Sd	0 ... 200 mm
reflector position Sde	40 ... 200 mm
adjusting range reflector (operating range)	± 2,5 % Sde
adjusting range reflector (limit range)	± 5 % Sde
repeat accuracy	< 1,5 mm
temperature drift	< 2 % Sde
response time ton	< 15 ms
release time toff	< 15 ms
sonic frequency	380 kHz
adjustment	Teach-in
alignment aid	target indication flashing
output indicator	LED green

**electrical data**

voltage supply range +Vs	12 ... 30 VDC
current consumption max. (no load)	30 mA
output current	< 200 mA
voltage drop Vd	< 2 VDC
residual ripple	< 10 % Vs
short circuit protection	yes
reverse polarity protection	yes

**mechanical data**

type	rectangular
housing material	plastic (ASA)
width / diameter	10,4 mm
height / length	27 mm
depth	14 mm

**ambient conditions**

operating temperature	-10 ... +60 °C
protection class	IP 67

**sample picture**



**Ultrasonic retro-reflective sensors**
**URDK 10 (Sde = 200 mm)**

<b>order reference</b>	<b>output circuit</b>	<b>connection types</b>
<b>URDK 10N8914</b>	NPN make function (NO) / break function (NC)	cable, 2 m
<b>URDK 10N8914/KS35A</b>	NPN make function (NO) / break function (NC)	flylead connector M8, L=200 mm
<b>URDK 10N8914/S35A</b>	NPN make function (NO) / break function (NC)	connector M8
<b>URDK 10P8914</b>	PNP make function (NO) / break function (NC)	cable, 2 m
<b>URDK 10P8914/KS35A</b>	PNP make function (NO) / break function (NC)	flylead connector M8, L=200 mm
<b>URDK 10P8914/S35A</b>	PNP make function (NO) / break function (NC)	connector M8