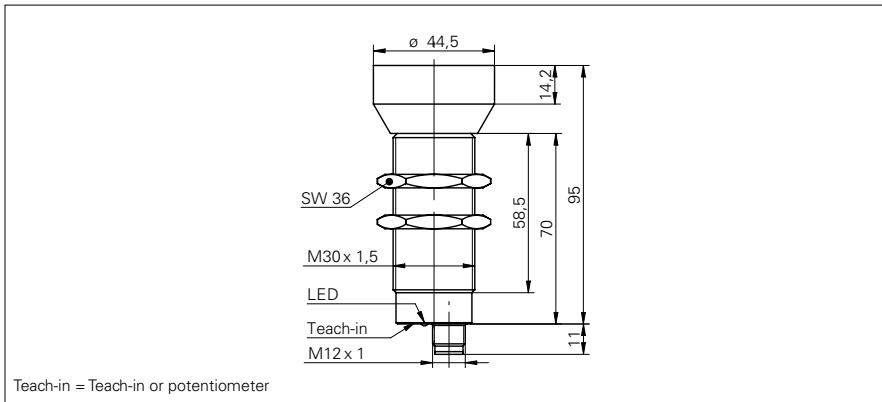


**Ultrasonic retro-reflective sensors**

**URAM 50**

**sample drawing**



**general data**

scanning range Sd	0 ... 3000 mm
reflector position Sde	600 ... 3000 mm
adjusting range reflector (operating range)	± 4 % Sde
adjusting range reflector (limit range)	± 6 % Sde
repeat accuracy	< 3 mm
synchronization	yes
multiplex version	on request
response time ton	< 160 ms
release time toff	< 160 ms
sonic frequency	120 kHz
alignment aid	target indication flashing
output indicator	LED green

**electrical data**

voltage supply range +Vs	12 ... 30 VDC
current consumption max. (no load)	35 mA
output current	< 200 mA
voltage drop Vd	< 2 VDC
residual ripple	< 10 % Vs
short circuit protection	yes
reverse polarity protection	yes

**mechanical data**

type	cylindrical threaded
housing material	brass nickel plated
width / diameter	30 mm
height / length	95 mm

**ambient conditions**

operating temperature	-10 ... +60 °C
protection class	IP 67

**sample picture**



**Ultrasonic retro-reflective sensors**
**URAM 50**

<b>order reference</b>	<b>adjustment</b>	<b>output circuit</b>	<b>temperature drift</b>	<b>connection types</b>
<b>URAM 50N1721</b>	potentiometer	NPN make function (NO)	< 0,18 % Sde/K	cable, 2 m
<b>URAM 50N1721/S14</b>	potentiometer	NPN make function (NO)	< 0,18 % Sde/K	connector M12
<b>URAM 50P6121</b>	Teach-in	PNP make function (NO)	< 2 % Sde	cable, 2 m
<b>URAM 50P6121/S14</b>	Teach-in	PNP make function (NO)	< 2 % Sde	connector M12
<b>URAM 50P7121</b>	Teach-in	PNP break function (NC)	< 2 % Sde	cable, 2 m
<b>URAM 50P7121/S14</b>	Teach-in	PNP break function (NC)	< 2 % Sde	connector M12