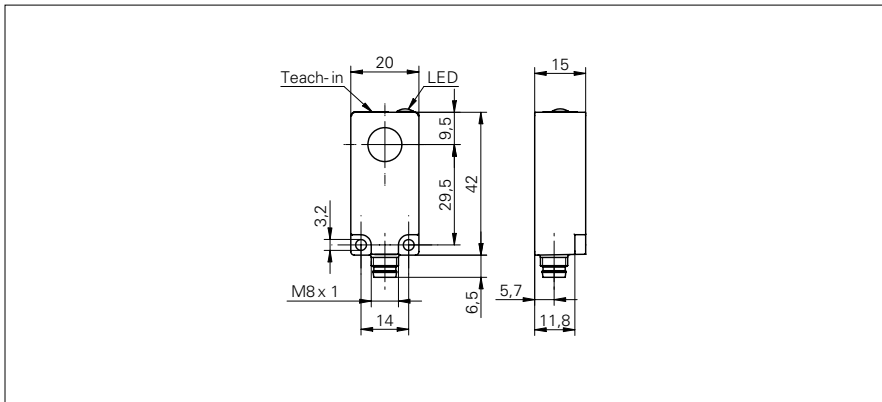


Ultrasonic proximity sensors

UNDK 20 (Sd = 200 mm)

sample drawing



general data

scanning range Sd	10 ... 200 mm
scanning range far limit Sde	30 ... 200 mm
hysteresis typ.	4 % Sde
repeat accuracy	< 0,5 mm
temperature drift	< 0,18 % Sde/K
response time ton	< 10 ms
release time toff	< 10 ms
sonic frequency	380 kHz
adjustment	Teach-in
alignment aid	target indication flashing
output indicator	LED green

electrical data

voltage supply range +Vs	12 ... 30 VDC
current consumption max. (no load)	35 mA
output current	< 200 mA
voltage drop Vd	< 2 VDC
residual ripple	< 10 % Vs
short circuit protection	yes
reverse polarity protection	yes

mechanical data

type	rectangular
housing material	polyester
width / diameter	20 mm
height / length	42 mm
depth	15 mm
connection types	connector M8

ambient conditions

operating temperature	-10 ... +60 °C
protection class	IP 67

sample picture



Ultrasonic proximity sensors**UNDK 20 (Sd = 200 mm)**

order reference	output circuit
UNDK 20N6914/S35A	NPN make function (NO)
UNDK 20N7914/S35A	NPN break function (NC)
UNDK 20P6914/S35A	PNP make function (NO)
UNDK 20P7914/S35A	PNP break function (NC)