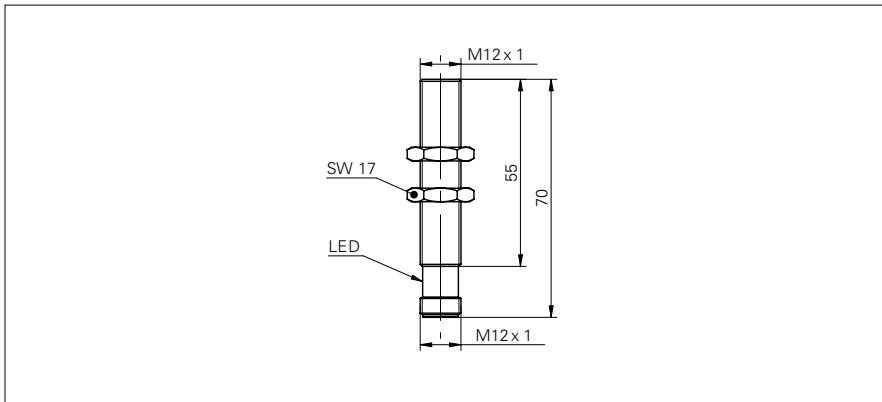


Ultrasonic proximity sensors

UNAM 12 (Sde = 200 mm)

sample drawing



general data

scanning range Sd	10 ... 200 mm
scanning range far limit Sde	30 ... 200 mm
hysteresis typ.	4 % Sde
repeat accuracy	< 0,5 mm
temperature drift	< 0,18 % Sde/K
response time ton	< 10 ms
release time toff	< 10 ms
sonic frequency	380 kHz
adjustment	external Teach-in
alignment aid	target indication flashing
output indicator	LED green

electrical data

voltage supply range +Vs	12 ... 30 VDC
current consumption max. (no load)	35 mA
output current	< 200 mA
voltage drop Vd	< 2 VDC
residual ripple	< 10 % Vs
short circuit protection	yes
reverse polarity protection	yes

mechanical data

type	cylindrical threaded
housing material	brass nickel plated
width / diameter	12 mm
height / length	70 mm
connection types	connector M12

ambient conditions

operating temperature	-10 ... +60 °C
protection class	IP 67

sample picture



Ultrasonic proximity sensors**UNAM 12 (Sde = 200 mm)**

order reference	output circuit
UNAM 12N1914/S14	NPN make function (NO)
UNAM 12N3914/S14	NPN break function (NC)
UNAM 12P1914/S14	PNP make function (NO)
UNAM 12P3914/S14	PNP break function (NC)