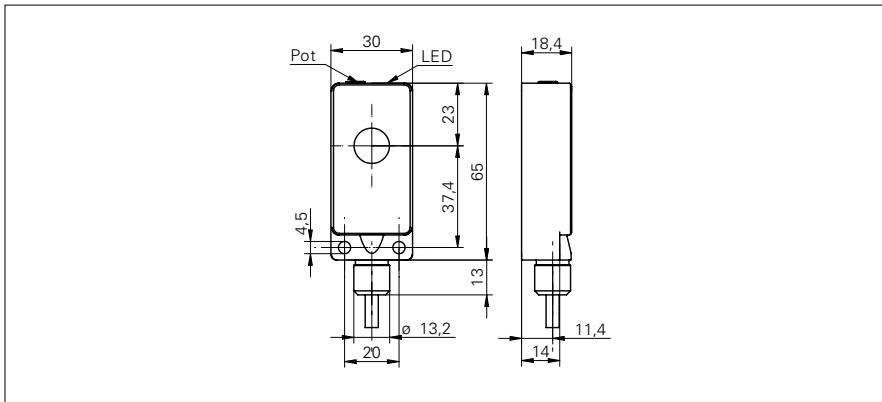


Ultrasonic through beam sensors

UEDK 30N5103

dimension drawing



general data

emitter / receiver	receiver
scanning range Sd	0 ... 700 mm
scanning range far limit Sde	0 ... 700 mm
object size (at Sd = 50 mm)	> 2 cm ²
hysteresis typ.	5 mm
repeat accuracy	< 3 mm
response time ton	< 5 ms
release time toff	< 5 ms
adjustment	potentiometer
alignment aid	target indication flashing
output indicator	LED green

electrical data

voltage supply range +Vs	12 ... 30 VDC
current consumption max. (no load)	30 mA
output circuit	NPN complementary
output current	< 200 mA
voltage drop Vd	< 2 VDC
residual ripple	< 10 % Vs
short circuit protection	yes
reverse polarity protection	yes

mechanical data

type	rectangular
housing material	polyester / die-cast zinc
width / diameter	30 mm
height / length	65 mm
depth	18,5 mm
connection types	cable, 2 m

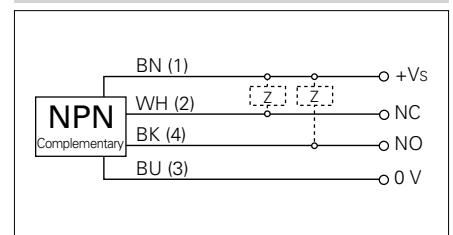
ambient conditions

operating temperature	0 ... +60 °C
protection class	IP 67

photo



connection diagram



• < 5 ms response time t(on) / t(off)