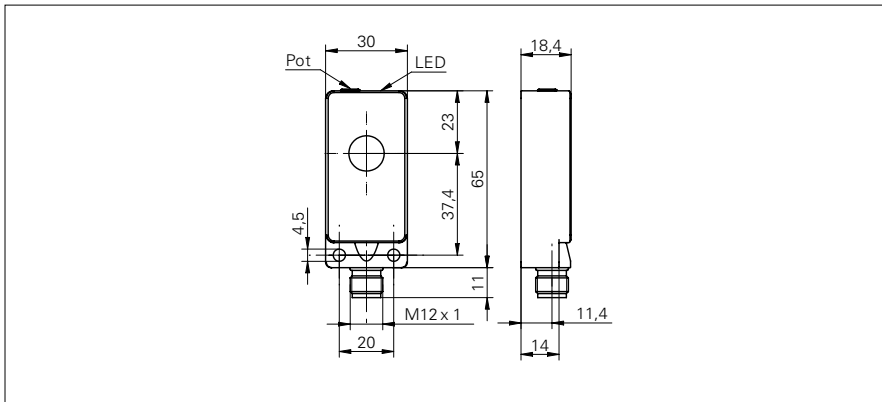


**Ultrasonic through beam sensors**

**UEDK 30 (Receiver)**

**sample drawing**



**general data**

emitter / receiver	receiver
scanning range Sd	0 ... 700 mm
scanning range far limit Sde	0 ... 700 mm
object size (at Sd = 50 mm)	> 2 cm <sup>2</sup>
hysteresis typ.	5 mm
repeat accuracy	< 3 mm
response time ton	< 5 ms
release time toff	< 5 ms
adjustment	potentiometer
alignment aid	target indication flashing
output indicator	LED green

**sample picture**



**electrical data**

voltage supply range +Vs	12 ... 30 VDC
current consumption max. (no load)	30 mA
output current	< 200 mA
voltage drop Vd	< 2 VDC
residual ripple	< 10 % Vs
short circuit protection	yes
reverse polarity protection	yes

**mechanical data**

type	rectangular
housing material	polyester / die-cast zinc
width / diameter	30 mm
height / length	65 mm
depth	18,5 mm

**ambient conditions**

operating temperature	0 ... +60 °C
protection class	IP 67

## Ultrasonic through beam sensors

## UEDK 30 (Receiver)

order reference	output circuit	connection types
<b>UEDK 30N5103</b>	NPN complementary	cable, 2 m
<b>UEDK 30N5103/S14</b>	NPN complementary	connector M12
<b>UEDK 30P5103</b>	PNP complementary	cable, 2 m
<b>UEDK 30P5103/S14</b>	PNP complementary	connector M12