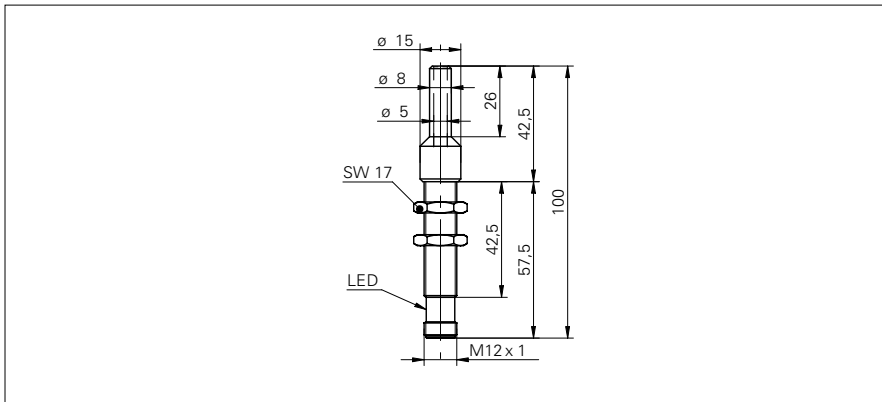


**Ultrasonic proximity sensors**

**UNAM 12 (with beam columnator)**

**sample drawing**



**general data**

|                              |                            |
|------------------------------|----------------------------|
| scanning range Sd            | 5 ... 70 mm                |
| scanning range far limit Sde | 5 ... 70 mm                |
| hysteresis typ.              | 4 % Sde                    |
| repeat accuracy              | < 0,5 mm                   |
| temperature drift            | < 0,18 % Sde/K             |
| response time ton            | < 10 ms                    |
| release time toff            | < 10 ms                    |
| sonic frequency              | 380 kHz                    |
| adjustment                   | external Teach-in          |
| alignment aid                | target indication flashing |
| output indicator             | LED green                  |

**electrical data**

|                                    |               |
|------------------------------------|---------------|
| voltage supply range +Vs           | 12 ... 30 VDC |
| current consumption max. (no load) | 35 mA         |
| output current                     | < 200 mA      |
| voltage drop Vd                    | < 2 VDC       |
| residual ripple                    | < 10 % Vs     |
| short circuit protection           | yes           |
| reverse polarity protection        | yes           |

**mechanical data**

|                  |                      |
|------------------|----------------------|
| type             | cylindrical threaded |
| housing material | brass nickel plated  |
| width / diameter | 12 mm                |
| height / length  | 100 mm               |
| connection types | connector M12        |

**ambient conditions**

|                       |              |
|-----------------------|--------------|
| operating temperature | 0 ... +60 °C |
| protection class      | IP 67        |

**order reference**

|                          |                        |
|--------------------------|------------------------|
| <b>UNAM 12N1914/S14D</b> | NPN make function (NO) |
| <b>UNAM 12P1914/S14D</b> | PNP make function (NO) |

**output circuit**

**sample picture**

