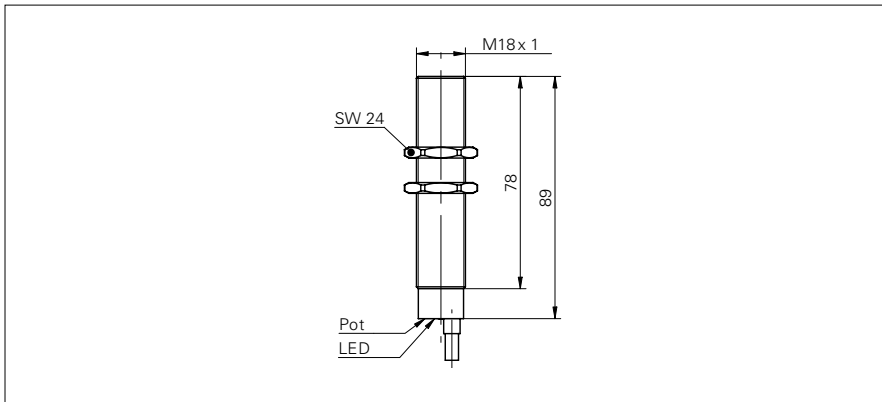


Ultrasonic proximity sensors

UNAM 18 (without Teach-in)

sample drawing



general data

scanning range Sd	100 ... 700 mm
scanning range far limit Sde	110 ... 700 mm
hysteresis typ.	4 % Sde
repeat accuracy	< 0,5 mm
synchronization	yes
temperature drift	< 0,18 % Sde/K
response time ton (sync on)	< 50 ms
release time toff (sync on)	< 50 ms
sonic frequency	240 kHz
adjustment	potentiometer
alignment aid	target indication flashing
output indicator	LED green

electrical data

voltage supply range +Vs	12 ... 30 VDC
current consumption max. (no load)	30 mA
output current	< 200 mA
voltage drop Vd	< 2 VDC
residual ripple	< 10 % Vs
short circuit protection	yes
reverse polarity protection	yes

mechanical data

type	cylindrical threaded
housing material	brass nickel plated
width / diameter	18 mm
height / length	89 mm
connection types	cable, 2 m

ambient conditions

operating temperature	-10 ... +60 °C
protection class	IP 67

sample picture



Ultrasonic proximity sensors

UNAM 18 (without Teach-in)

order reference	output circuit
UNAM 18N1703	NPN make function (NO)
UNAM 18N3703	NPN break function (NC)
UNAM 18P1703	PNP make function (NO)
UNAM 18P3703	PNP break function (NC)