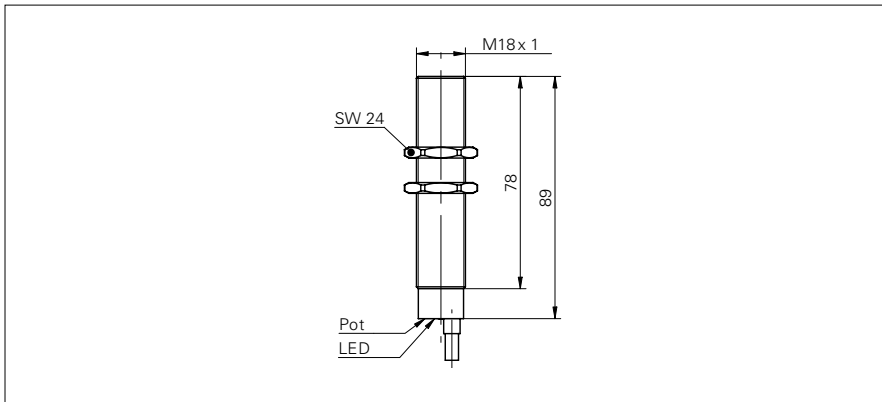


**Ultrasonic proximity sensors**

**UNAM 18P3703**

**dimension drawing**



**general data**

|                              |                            |
|------------------------------|----------------------------|
| scanning range Sd            | 100 ... 700 mm             |
| scanning range far limit Sde | 110 ... 700 mm             |
| hysteresis typ.              | 4 % Sde                    |
| repeat accuracy              | < 0,5 mm                   |
| synchronization              | yes                        |
| temperature drift            | < 0,18 % Sde/K             |
| response time ton (sync on)  | < 50 ms                    |
| release time toff (sync on)  | < 50 ms                    |
| sonic frequency              | 240 kHz                    |
| adjustment                   | potentiometer              |
| alignment aid                | target indication flashing |
| output indicator             | LED green                  |

**electrical data**

|                                    |                         |
|------------------------------------|-------------------------|
| voltage supply range +Vs           | 12 ... 30 VDC           |
| current consumption max. (no load) | 30 mA                   |
| output circuit                     | PNP break function (NC) |
| output current                     | < 200 mA                |
| voltage drop Vd                    | < 2 VDC                 |
| residual ripple                    | < 10 % Vs               |
| short circuit protection           | yes                     |
| reverse polarity protection        | yes                     |

**mechanical data**

|                  |                      |
|------------------|----------------------|
| type             | cylindrical threaded |
| housing material | brass nickel plated  |
| width / diameter | 18 mm                |
| height / length  | 89 mm                |
| connection types | cable, 2 m           |

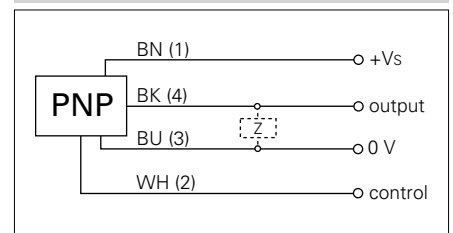
**ambient conditions**

|                       |                |
|-----------------------|----------------|
| operating temperature | -10 ... +60 °C |
| protection class      | IP 67          |

**photo**



**connection diagram**



• with synchronization output

# Ultrasonic proximity sensors

# UNAM 18P3703

## typical sonic cone profile

