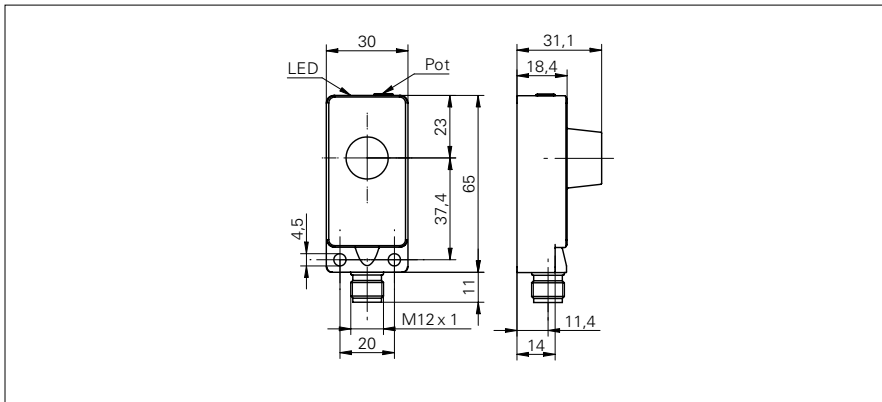


**Ultrasonic proximity sensors**

**UNDK 30 (Sd = 400 mm)**

**sample drawing**



**general data**

scanning range Sd	60 ... 400 mm
scanning range far limit Sde	60 ... 400 mm
hysteresis typ.	4 % Sde
repeat accuracy	< 0,5 mm
synchronization	yes
multiplex version	on request
temperature drift	< 0,18 % Sde/K
response time ton (sync on)	< 25 ms
release time toff (sync on)	< 25 ms
sonic frequency	400 kHz
adjustment	potentiometer
alignment aid	target indication flashing
output indicator	LED green

**sample picture**



**electrical data**

voltage supply range +Vs	12 ... 30 VDC
current consumption max. (no load)	35 mA
output current	< 200 mA
voltage drop Vd	< 2 VDC
residual ripple	< 10 % Vs
short circuit protection	yes
reverse polarity protection	yes

**mechanical data**

type	rectangular
housing material	polyester / die-cast zinc
width / diameter	30 mm
height / length	65 mm
depth	31 mm

**ambient conditions**

operating temperature	-25 ... +60 °C
protection class	IP 67

**Ultrasonic proximity sensors****UNDK 30 (Sd = 400 mm)**

<b>order reference</b>	<b>output circuit</b>	<b>connection types</b>
<b>UNDK 30N1712</b>	NPN make function (NO)	cable, 2 m
<b>UNDK 30N1712/S14</b>	NPN make function (NO)	connector M12
<b>UNDK 30N3712</b>	NPN break function (NC)	cable, 2 m
<b>UNDK 30N3712/S14</b>	NPN break function (NC)	connector M12
<b>UNDK 30P1712</b>	PNP make function (NO)	cable, 2 m
<b>UNDK 30P1712/S14</b>	PNP make function (NO)	connector M12
<b>UNDK 30P3712</b>	PNP break function (NC)	cable, 2 m
<b>UNDK 30P3712/S14</b>	PNP break function (NC)	connector M12