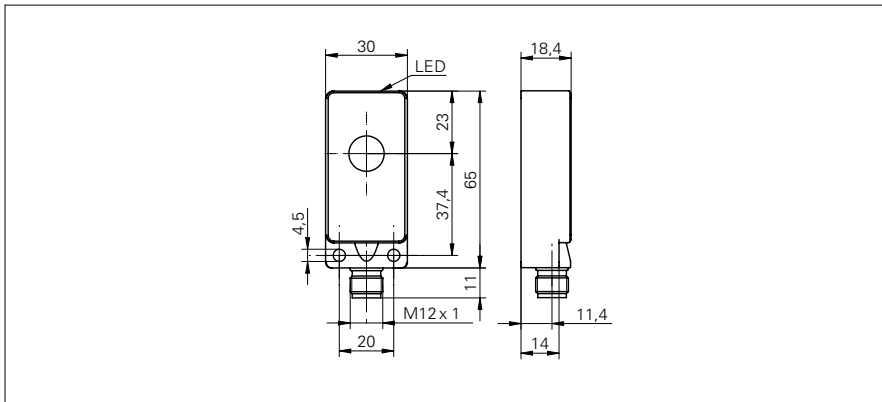


Ultrasonic through beam sensors

USDK 30D9003/S14

dimension drawing



general data

emitter / receiver	emitter
scanning range Sd	0 ... 700 mm
scanning range far limit Sde	0 ... 700 mm
sonic frequency	220 kHz
alignment aid	target indication flashing
power on indication	LED yellow

electrical data

voltage supply range +Vs	12 ... 30 VDC
current consumption max. (no load)	22 mA
residual ripple	< 10 % Vs
reverse polarity protection	yes

mechanical data

type	rectangular
housing material	polyester / die-cast zinc
width / diameter	30 mm
height / length	65 mm
depth	18,5 mm
connection types	connector M12

ambient conditions

operating temperature	0 ... +60 °C
protection class	IP 67

photo



connection diagram

