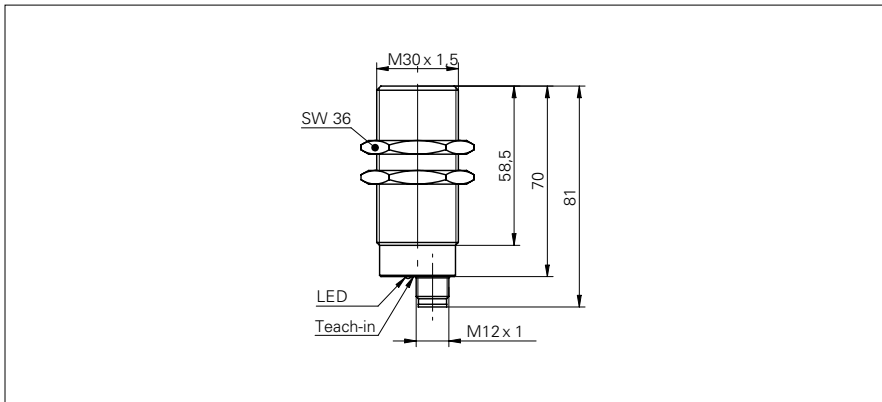


**Ultrasonic proximity sensors**

**UZAM 30N6103/S14**

**dimension drawing**



**general data**

special type	2 point proximity switch
scanning range Sd	100 ... 1000 mm
scanning range far limit Sde	100 ... 1000 mm
version	standard
hysteresis typ.	4 % Sde
repeat accuracy	< 0,5 mm
temperature drift	< 2 % Sde
response time ton	< 40 ms
release time toff	< 40 ms
sonic frequency	240 kHz
adjustment	Teach-in
alignment aid	target indication flashing
output indicator	green / yellow LED

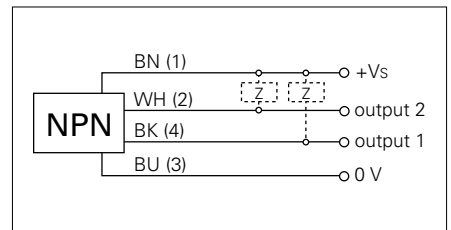
**photo**



**electrical data**

voltage supply range +Vs	12 ... 30 VDC
current consumption max. (no load)	35 mA
output circuit	NPN make function (NO)
output current	< 200 mA
voltage drop Vd	< 2 VDC
residual ripple	< 10 % Vs
short circuit protection	yes
reverse polarity protection	yes

**connection diagram**



**mechanical data**

type	cylindrical threaded
housing material	brass nickel plated
width / diameter	30 mm
height / length	70 mm
connection types	connector M12

**ambient conditions**

operating temperature	-10 ... +60 °C
protection class	IP 67



- Two separate outputs
- Teach-in

**Ultrasonic proximity sensors**

**UZAM 30N6103/S14**

**typical sonic cone profile**

