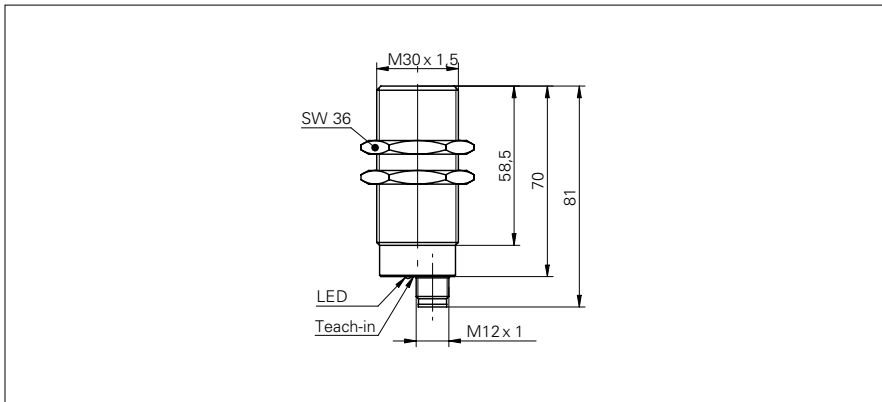


# Ultrasonic proximity sensors

# UZAM 30

**sample drawing**



**general data**

special type	2 point proximity switch
scanning range Sd	100 ... 1000 mm
scanning range far limit Sde	100 ... 1000 mm
hysteresis typ.	4 % Sde
repeat accuracy	< 0,5 mm
temperature drift	< 2 % Sde
response time ton	< 40 ms
release time toff	< 40 ms
sonic frequency	240 kHz
adjustment	Teach-in
alignment aid	target indication flashing
output indicator	green / yellow LED

**electrical data**

voltage supply range +Vs	12 ... 30 VDC
current consumption max. (no load)	35 mA
output current	< 200 mA
voltage drop Vd	< 2 VDC
residual ripple	< 10 % Vs
short circuit protection	yes
reverse polarity protection	yes

**mechanical data**

type	cylindrical threaded
housing material	brass nickel plated
width / diameter	30 mm
height / length	70 mm

**ambient conditions**

operating temperature	-10 ... +60 °C
protection class	IP 67

order reference	version	output circuit	connection types
<b>UZAM 30N6103/S14</b>	standard	NPN make function (NO)	connector M12
<b>UZAM 30P6103</b>	standard	PNP make function (NO)	cable, 2 m
<b>UZAM 30P6103/S14</b>	standard	PNP make function (NO)	connector M12
<b>UZAM 30P6803/S14C</b>	multiplex version	PNP make function (NO)	connector M12

**sample picture**

