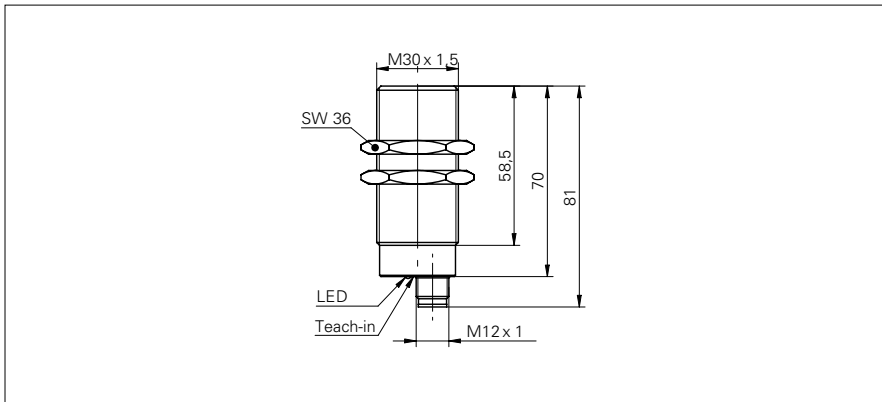


Ultrasonic proximity sensors

UZAM 30P6803/S14C

dimension drawing



general data

special type	2 point proximity switch
scanning range Sd	100 ... 1000 mm
scanning range far limit Sde	100 ... 1000 mm
version	multiplex version
hysteresis typ.	4 % Sde
repeat accuracy	< 0,5 mm
temperature drift	< 2 % Sde
response time ton	< 40 ms
release time toff	< 40 ms
sonic frequency	240 kHz
adjustment	Teach-in
alignment aid	target indication flashing
output indicator	green / yellow LED

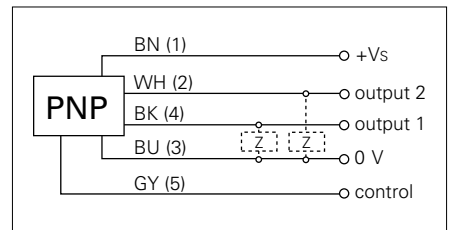
photo



electrical data

voltage supply range +Vs	12 ... 30 VDC
current consumption max. (no load)	35 mA
output circuit	PNP make function (NO)
output current	< 200 mA
voltage drop Vd	< 2 VDC
residual ripple	< 10 % Vs
short circuit protection	yes
reverse polarity protection	yes

connection diagram



mechanical data

type	cylindrical threaded
housing material	brass nickel plated
width / diameter	30 mm
height / length	70 mm
connection types	connector M12

ambient conditions

operating temperature	-10 ... +60 °C
protection class	IP 67



- Two separate outputs
- Multiplex function

Ultrasonic proximity sensors

UZAM 30P6803/S14C

typical sonic cone profile

