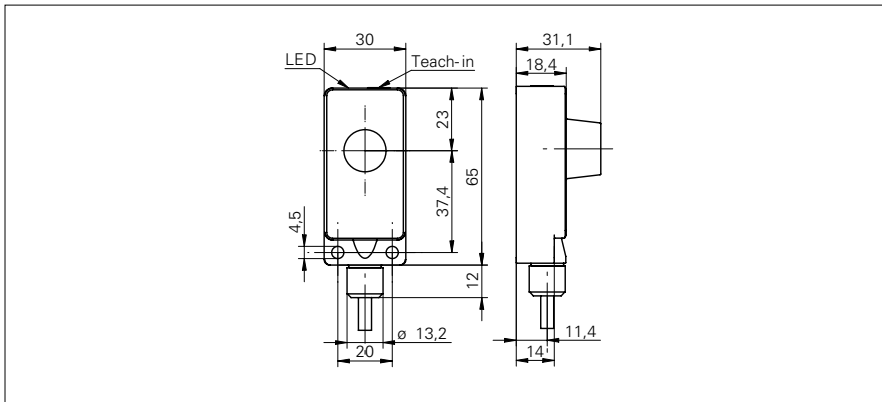


# Ultrasonic proximity sensors

# UZDK 30P6113

### dimension drawing



### general data

special type	2 point proximity switch
scanning range Sd	30 ... 250 mm
scanning range far limit Sde	30 ... 250 mm
hysteresis typ.	5 % Sde
repeat accuracy	< 0,5 mm
temperature drift	< 2 % Sde
response time ton	< 20 ms
release time toff	< 20 ms
sonic frequency	300 kHz
adjustment	Teach-in
alignment aid	target indication flashing
output indicator	green / yellow LED

### electrical data

voltage supply range +Vs	12 ... 30 VDC
current consumption max. (no load)	40 mA
output circuit	PNP make function (NO)
output current	< 200 mA
voltage drop Vd	< 2 VDC
residual ripple	< 10 % Vs
short circuit protection	yes
reverse polarity protection	yes

### mechanical data

type	rectangular
housing material	polyester / die-cast zinc
width / diameter	30 mm
height / length	65 mm
depth	31 mm
connection types	cable, 2 m

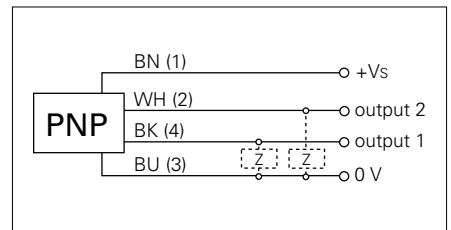
### ambient conditions

operating temperature	-10 ... +60 °C
protection class	IP 67

### photo



### connection diagram



- small blind range
- Teach-in

**Ultrasonic proximity sensors**

**UZDK 30P6113**

**typical sonic cone profile**

