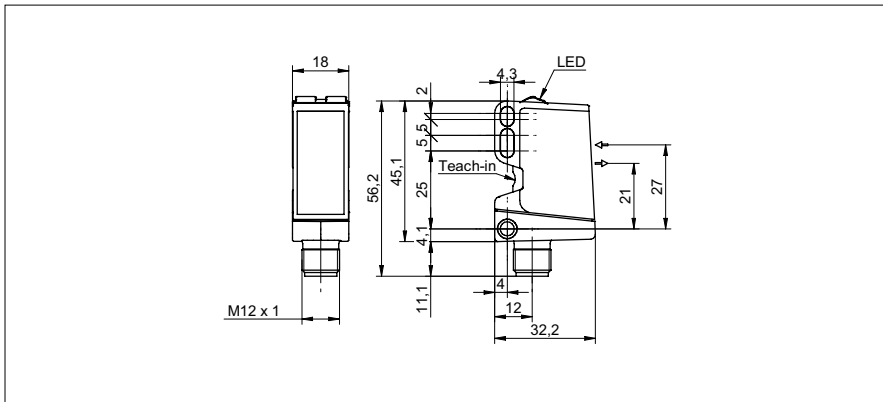


Retro-reflective sensors

O500.RP

sample drawing



general data

type	retro-reflective sensor
light source	pulsed PinPoint LED
polarization filter	yes
light indicator	LED yellow
power on indication	LED green
wave length	630 nm
suppression of reciprocal influence	yes
alignment optical axis	< 1°

actual range Sb = 5,5 m

version	transparency object detection
nominal range Sn	6 m
minimal signal attenuation	10 % / 20 % / 30 %

actual range Sb = 7,5 m

nominal range Sn	8 m
------------------	-----

electrical data

voltage supply range +Vs	10 ... 30 VDC
current consumption typ.	30 mA
voltage drop Vd	< 3 VDC
output function	light / dark operate
output current	< 100 mA
short circuit protection	yes
reverse polarity protection	yes

mechanical data

width / diameter	18 mm
height / length	45 mm
depth	32 mm
type	rectangular
housing material	plastic (ASA, PMMA)
front (optics)	PMMA

ambient conditions

operating temperature	-25 ... +60 °C
protection class	IP 67

sample picture



Retro-reflective sensors
O500.RP

order reference	actual range Sb	connection types	output circuit	response time / release time	sensitivity adjustment	current consumption max. (no load)
O500.RP-11096103	7,5 m	cable 4 pin, 2 m	push-pull	< 0,49 ms	qTeach / remote	40 mA
O500.RP-11096098	7,5 m	connector M12 4 pin	push-pull	< 0,49 ms	qTeach / remote	40 mA
O500.RP-11096101	7,5 m	cable 4 pin, 2 m	NPN complementary	< 0,49 ms	qTeach	40 mA
O500.RP-11096096	7,5 m	connector M12 4 pin	NPN complementary	< 0,49 ms	qTeach	40 mA
O500.RP-11096099	7,5 m	cable 4 pin, 2 m	PNP complementary	< 0,49 ms	qTeach	40 mA
O500.RP-11096094	7,5 m	connector M12 4 pin	PNP complementary	< 0,49 ms	qTeach	40 mA
O500.RPT-11157339	5,5 m	cable 4 pin, 2 m	push-pull	< 0,25 ms	Teach-in and IO-Link	35 mA
O500.RPT-11157351	5,5 m	connector M12 4 pin	push-pull	< 0,25 ms	Teach-in and IO-Link	35 mA