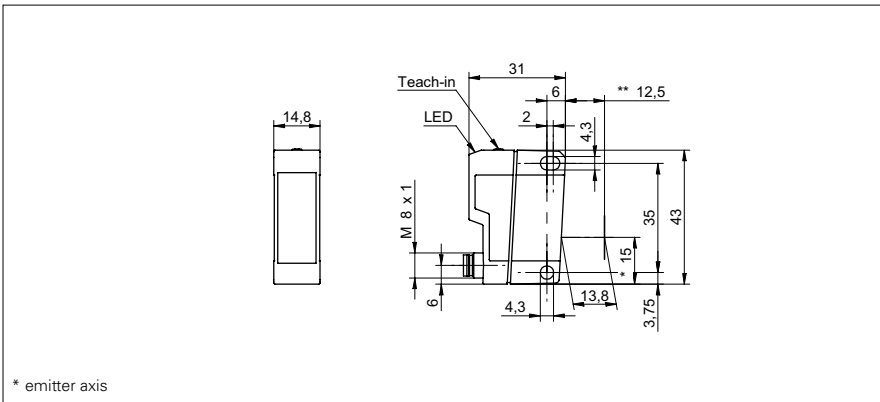


Diffuse contrast sensors

FKDK 14

sample drawing



* emitter axis

general data

type	diffuse contrast sensor
light source	white LED
sensing distance Tw	12,5 mm ±2 mm
light indicator	LED green
output indicator	LED yellow
sensitivity adjustment	Teach-in
distance to focus	12,5 mm
beam height	3 mm
beam width	1 mm

electrical data

response time / release time	< 0,05 ms
voltage supply range +Vs	18 ... 30 VDC
current consumption max. (no load)	50 mA
current consumption typ.	40 mA
voltage drop Vd	< 3 VDC
output function	light / dark operate
output circuit	push-pull
output current	< 100 mA
short circuit protection	yes
reverse polarity protection	yes

mechanical data

width / diameter	14,8 mm
height / length	43 mm
depth	31 mm
type	rectangular
housing material	plastic (ASA, MABS)
front (optics)	PMMA

ambient conditions

operating temperature	-25 ... +65 °C
protection class	IP 67

sample picture



Diffuse contrast sensors**FKDK 14**

order reference	connection types
FKDK 14G6901	cable 4 pin, 2 m
FKDK 14G6901/S14	connector M12 4 pin
FKDK 14G6901/S35A	connector M8 4 pin