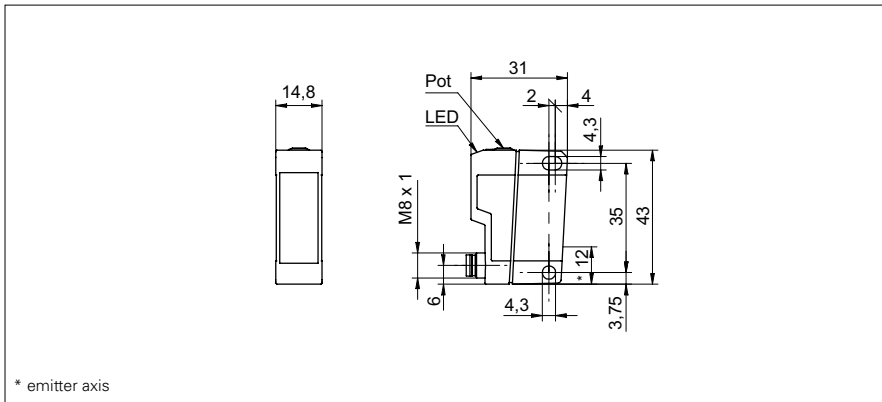


# Diffuse sensors with background suppression

## OHDK 14 (Laser)

**sample drawing**



**general data**

type	background suppression
light source	pulsed red laser diode
sensing distance Tw	20 ... 350 mm
sensing range Tb (at Tw max.)	20 ... 350 mm
sensing range Tb (at Tw min.)	5 ... 20 mm
repeat accuracy	< 0,2 mm at laser focus
power on indication	LED green
light indicator	LED yellow
sensing distance adjustment	mechanical, 9 turn
laser class	2
distance to focus	115 mm
wave length	650 nm

**electrical data**

response time / release time	< 0,5 ms
voltage supply range +Vs	10 ... 30 VDC
current consumption max. (no load)	35 mA
current consumption typ.	25 mA
voltage drop Vd	< 2,2 VDC
output function	light / dark operate
output current	< 100 mA
short circuit protection	yes
reverse polarity protection	yes

**mechanical data**

width / diameter	14,8 mm
height / length	43 mm
type	rectangular
housing material	plastic (ASA, MABS)
front (optics)	PMMA

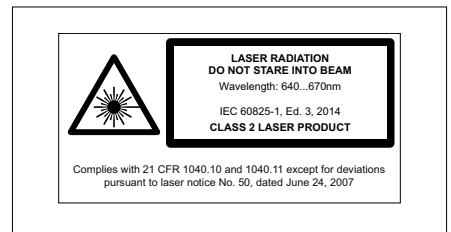
**ambient conditions**

operating temperature	-10 ... +50 °C
protection class	IP 67

**sample picture**



**laser warning**



## Diffuse sensors with background suppression

## OHDK 14 (Laser)

order reference	connection types	output circuit	depth
<b>OHDK 14N5101</b>	cable 4 pin, 2 m	NPN	32,7 mm
<b>OHDK 14N5101/S14</b>	connector M12 4 pin	NPN	31 mm
<b>OHDK 14N5101/S35A</b>	connector M8 4 pin	NPN	31 mm
<b>OHDK 14P5101</b>	cable 4 pin, 2 m	PNP	32,7 mm
<b>OHDK 14P5101/S14</b>	connector M12 4 pin	PNP	31 mm
<b>OHDK 14P5101/S35A</b>	connector M8 4 pin	PNP	31 mm