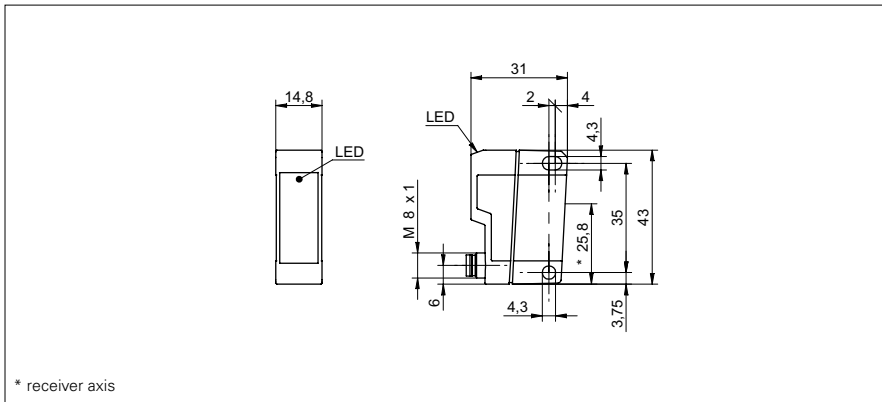


Through beam sensors

FEDK 14 (Receiver)

sample drawing



general data

type	through beam sensor
emitter / receiver	receiver
actual range S_b	12 m
nominal range S_n	15 m
alignment / soiled lens indicator	flashing light indicator
light indicator	LED yellow
sensitivity adjustment	no

sample picture



electrical data

response time / release time	< 1,2 ms
voltage supply range +Vs	10 ... 30 VDC
current consumption max. (no load)	20 mA
current consumption typ.	20 mA
voltage drop Vd	< 1,8 VDC
output function	light / dark operate
output current	< 100 mA
short circuit protection	yes
reverse polarity protection	yes

mechanical data

width / diameter	14,8 mm
height / length	43 mm
depth	31 mm
type	rectangular
housing material	plastic (ASA, MABS)
front (optics)	PMMA

ambient conditions

operating temperature	-25 ... +65 °C
protection class	IP 67

Through beam sensors**FEDK 14 (Receiver)**

order reference	connection types	output circuit
FEDK 14N5101	cable 4 pin, 2 m	NPN
FEDK 14N5101/S14	connector M12 4 pin	NPN
FEDK 14N5101/S35A	connector M8 4 pin	NPN
FEDK 14P5101	cable 4 pin, 2 m	PNP
FEDK 14P5101/S14	connector M12 4 pin	PNP
FEDK 14P5101/S35A	connector M8 4 pin	PNP